

COVER CADDY INSTALLATION INSTRUCTIONS

GALAXY SPAS
Heal your Body, Heal your Mind

- 1 Lay out all the parts and verify that they are all present according to the Cover Caddy Parts and Hardware List. See Fig 1.

COVER CADDY PARTS AND HARDWARE LIST:

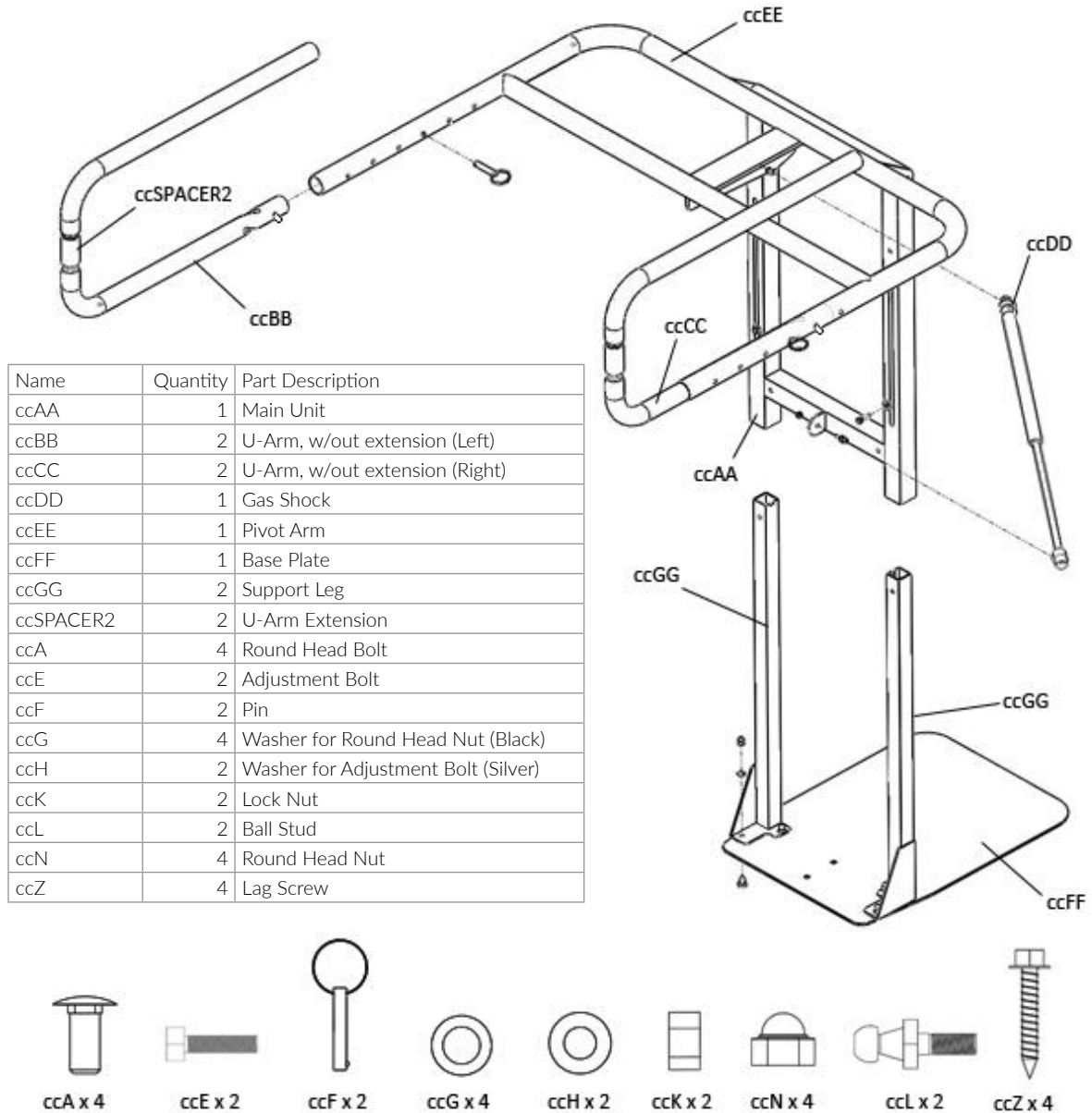


Figure 1

NOTE: IF YOU ARE USING A SIDE MOUNT SETUP, SKIP TO STEP 6

- 2 Attach the ccGG Support Legs to the ccFF Base Plate using the ccA Round Head Bolts, the ccG Washers, and the ccN Round Head Nuts. See Fig 2.

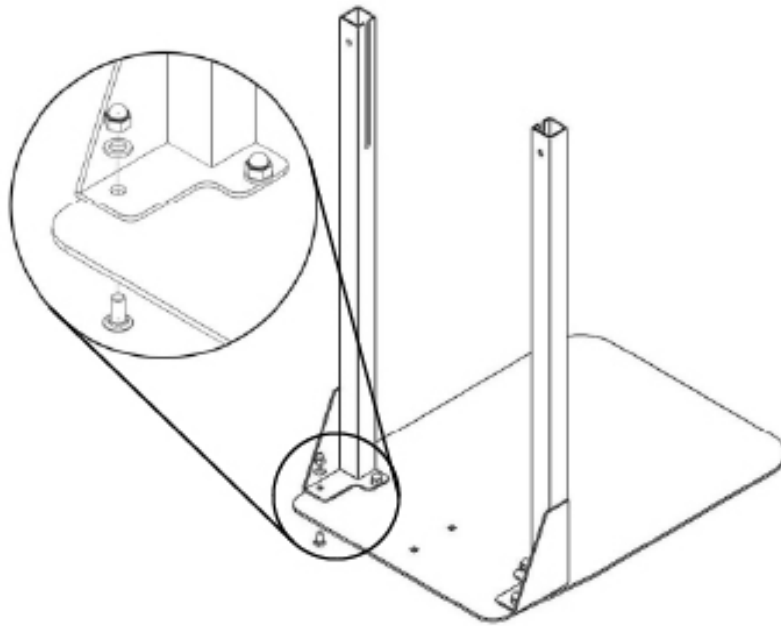


Figure 2

- 3 Make sure the spa is empty and slide the Base Plate/Support Leg assembly under the center of the back of the spa cabinet. This will be the side the spa cover will be stored behind. Ensure the ccFF Base Plate sits flat on the ground, with no overhang off the slab or deck. See Fig 3.

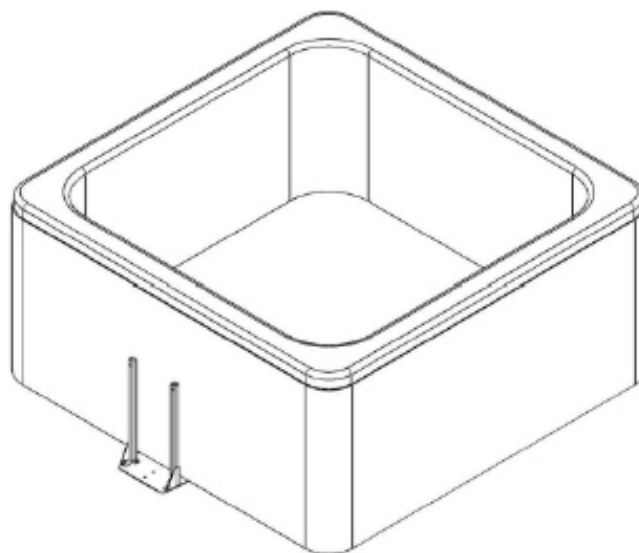


Figure 3

- 4 Slide the legs of the ccAA Main Unit/ccEE Pivot Arm assembly over the ccGG Support Legs. See Fig 4.

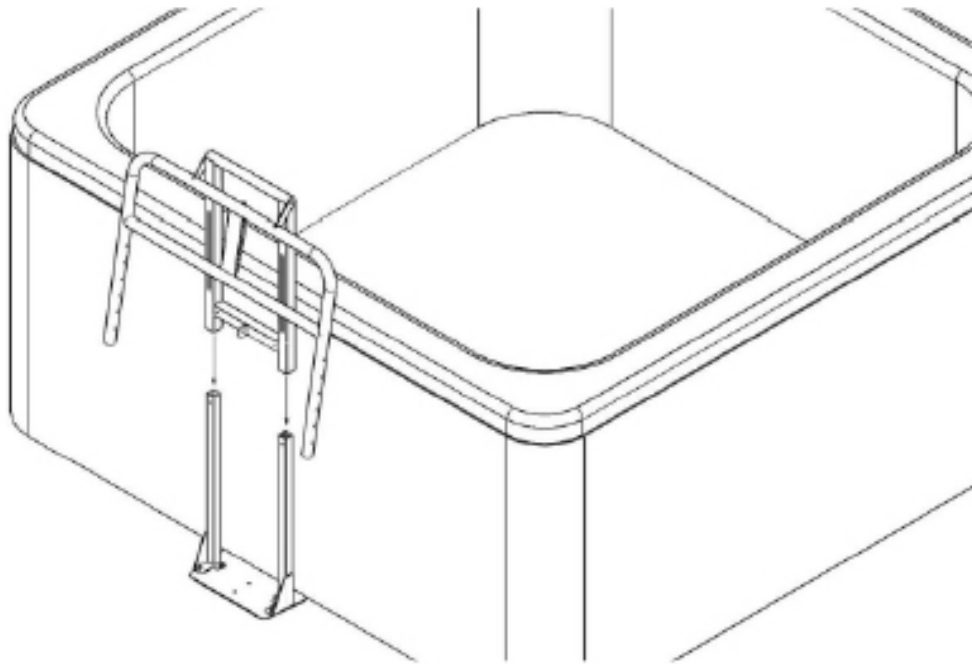


Figure 4

- 5 Loosely thread the ccE Adjustment Bolt through the ccH Adjustment Bolt Washer and into the threaded holes in the Support Legs. DO NOT tighten the adjustment screws yet. See Fig 5. **TO CONTINUE WITH BASE MOUNT SETUP, SKIP TO STEP 8**

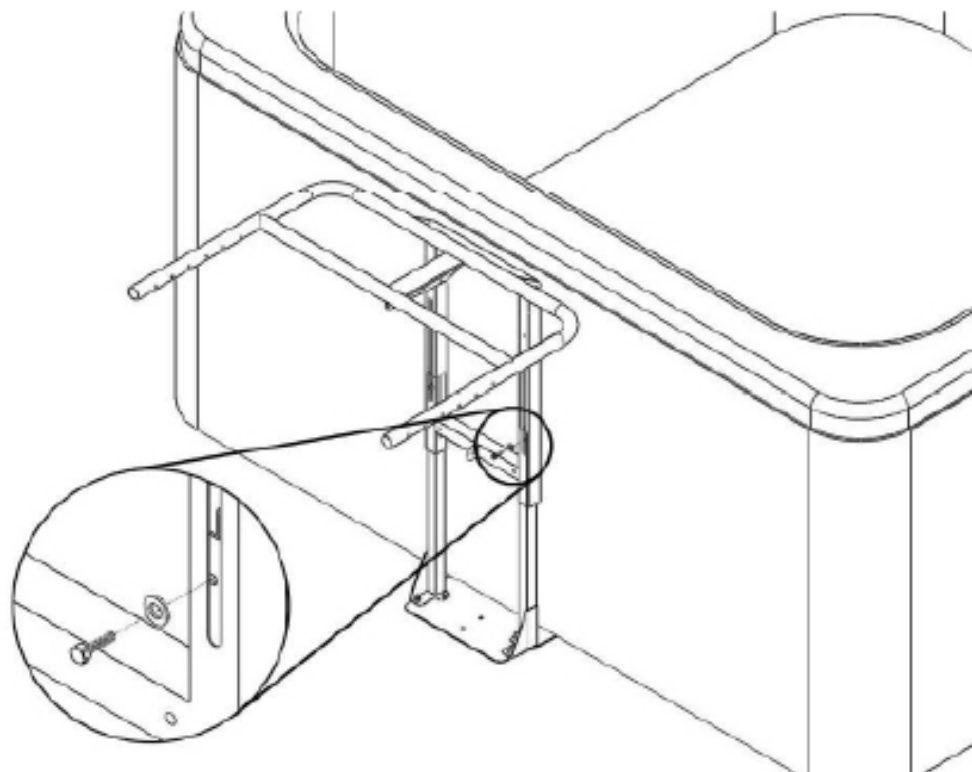


Figure 5

SIDE MOUNT ONLY

- 6 Align the Main Unit assembly in the center of the spa. Line up the Pivot Arm as shown in Fig 6. Mark the screw holes.

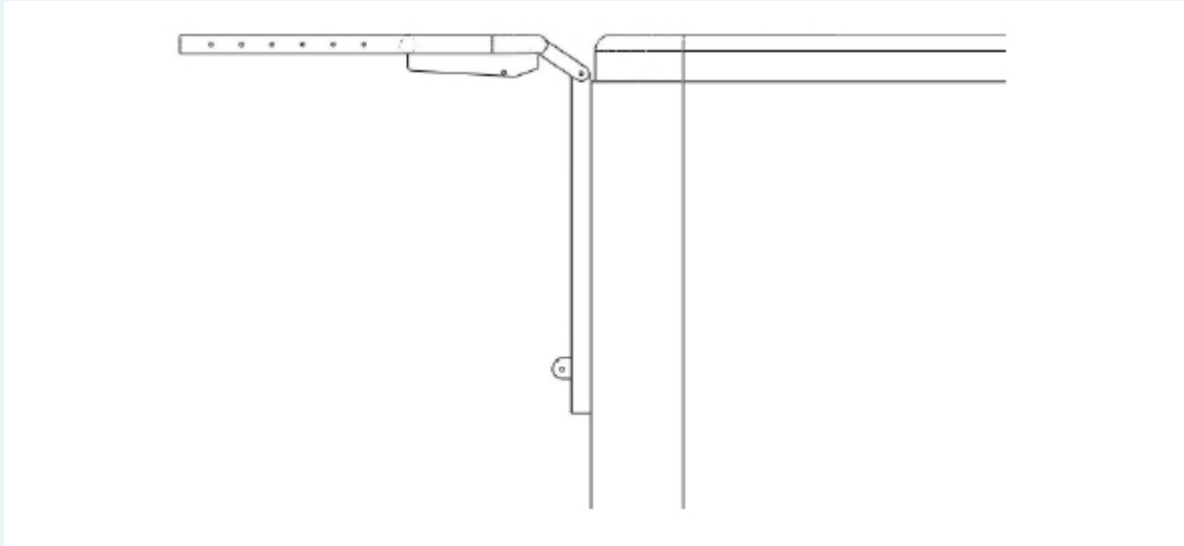


Figure 6

- 7 Mount the ccAA Main Unit to the side of the spa using the ccZ Lag Bolts. See Fig 7.

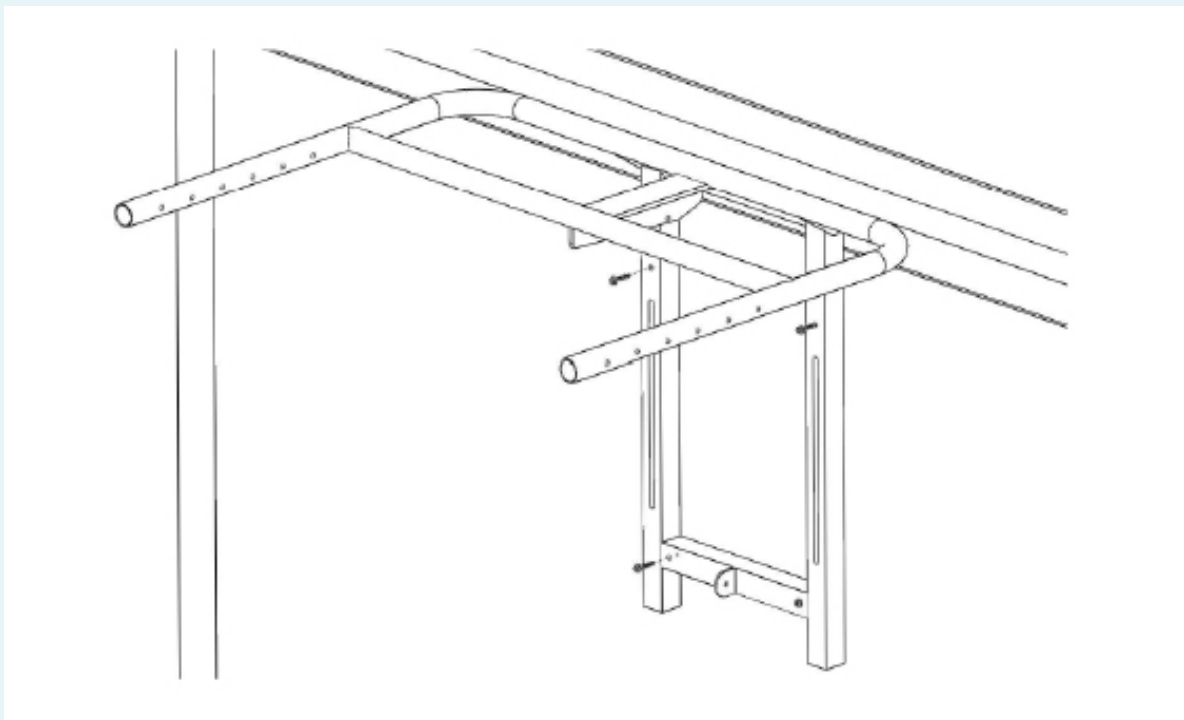


Figure 7

- 8 Attach the left and right U-Arm assemblies to the open tubes of the ccEE Pivot Arm using the spring buttons. Use the hole that will allow the U-Arms to swing as low as possible, without hitting the ground. See Fig 8.

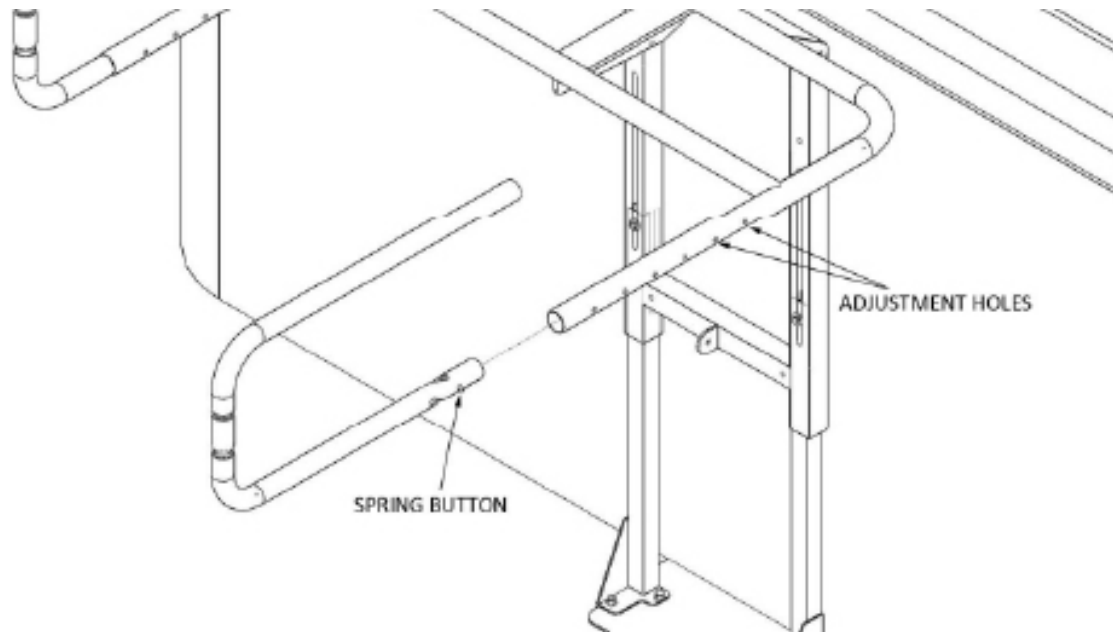


Figure 8

- 9 Swing the U-Arms up so that they are parallel to the ground. Raise the Main Unit so that the bottom tube of the U-Arms is level with the top of the spa without the cover. See Fig 9.

NOTE: If your folded spa cover is too thick to fit within the U-Arms, use the ccF U-Arm Extension to widen the arms.

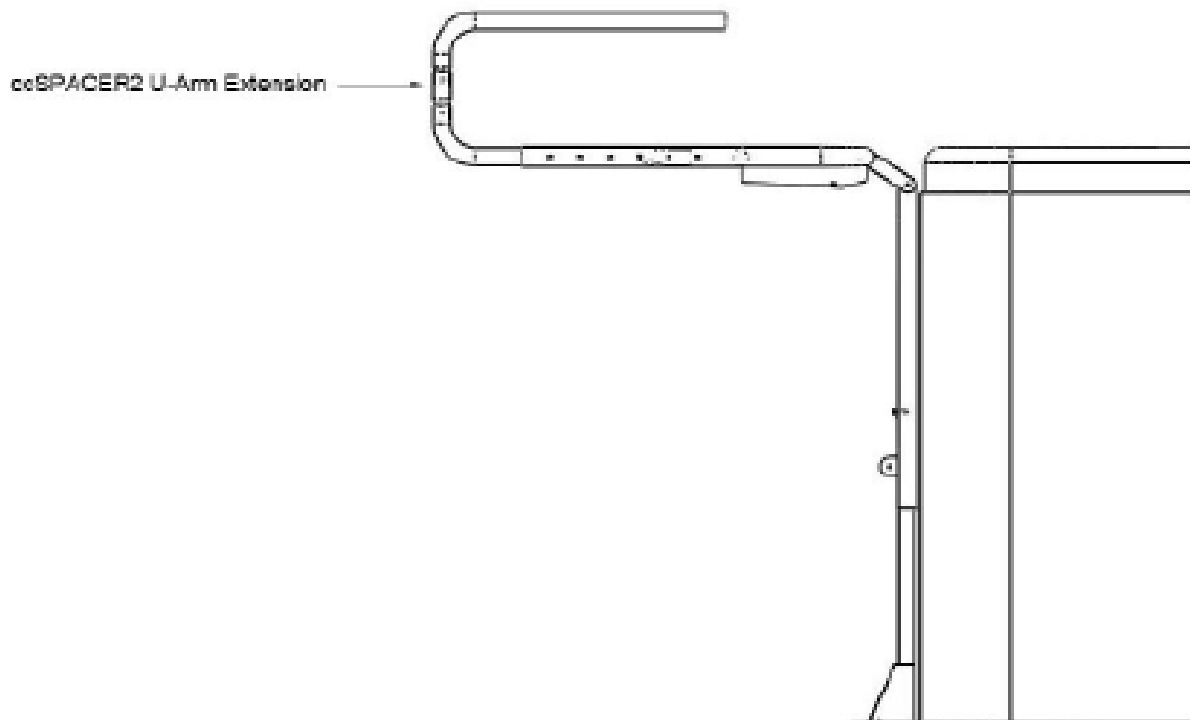


Figure 9

- 10 Attach the ccL Ball Studs and ccK Lock Nuts to the Tab and Fin. Then snap the ccDD Gas Shock over the round ends of the Ball Studs. See Fig 10.

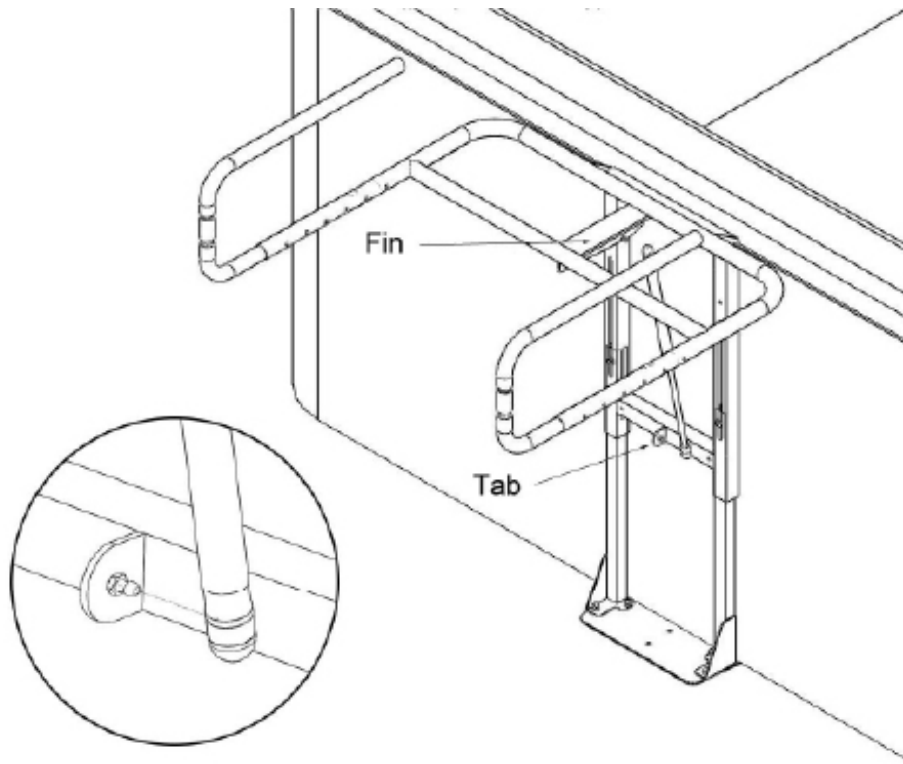


Figure 10

- 11 Push the ccF Pin through the hole directly underneath the spring button. Make sure the pin passes through the diagonal channel (not shown) on the U-Arm. See Fig 11.

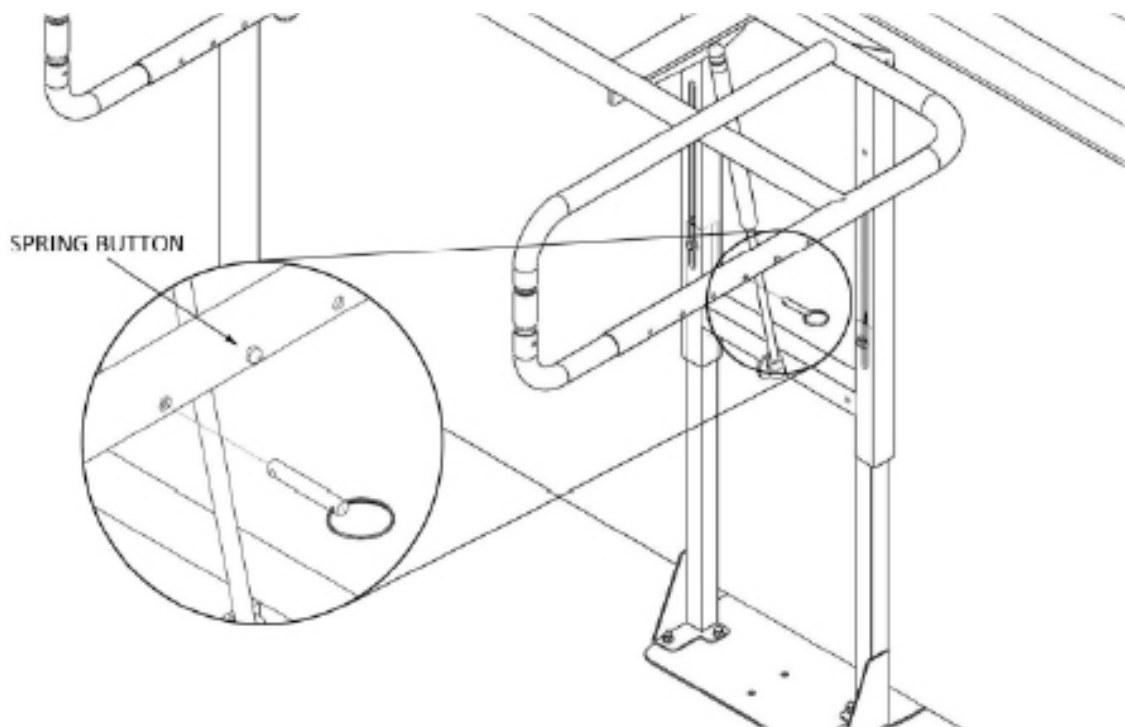


Figure 11

12 To stow the U-Arms, push the spring button and rotate the arms inward. See Fig 12.

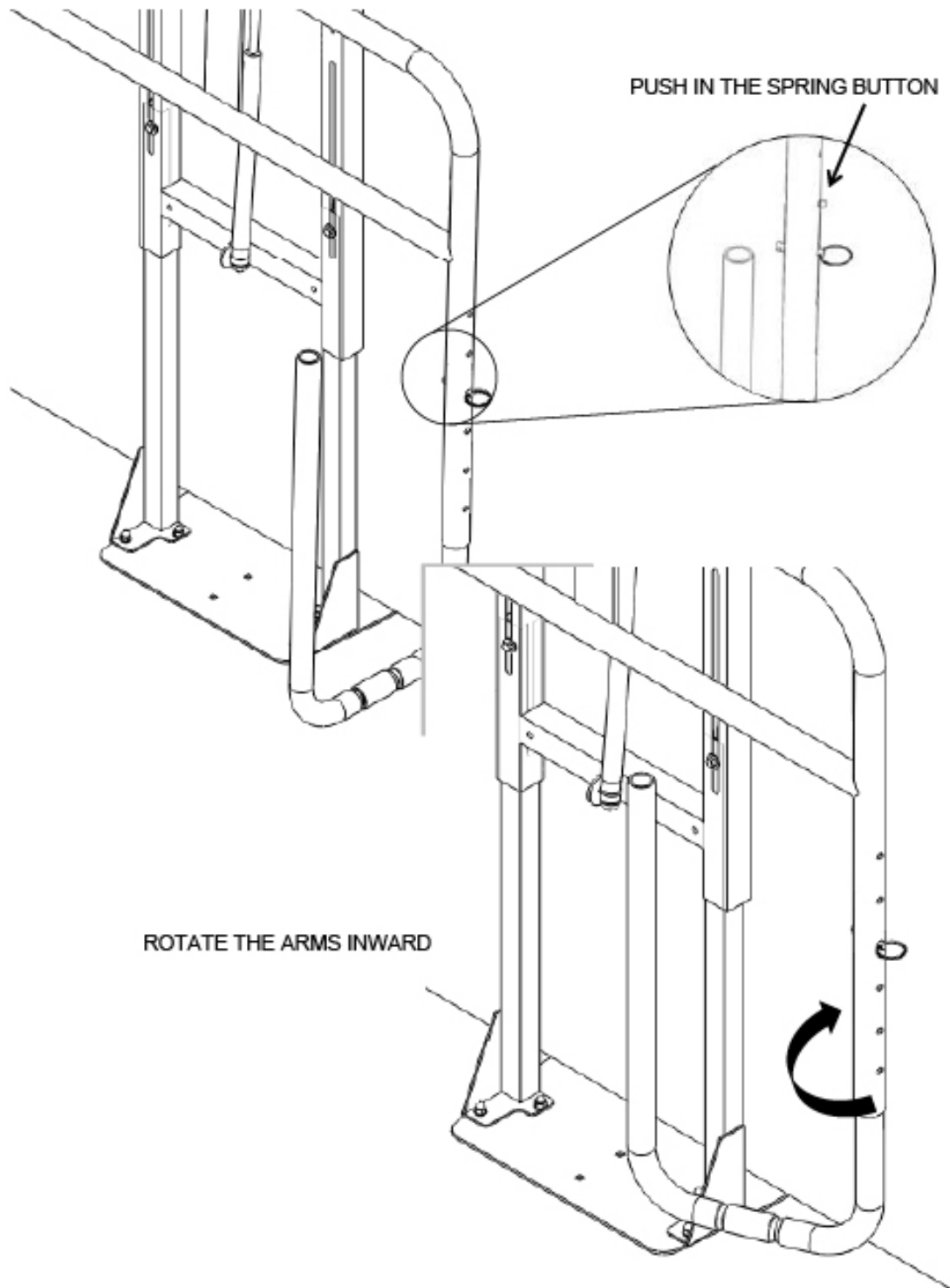
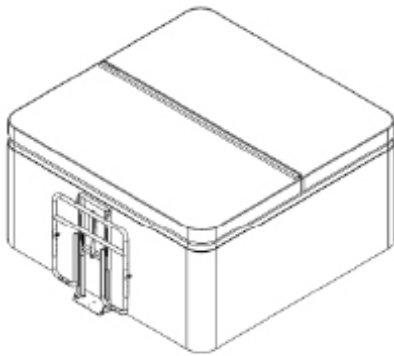
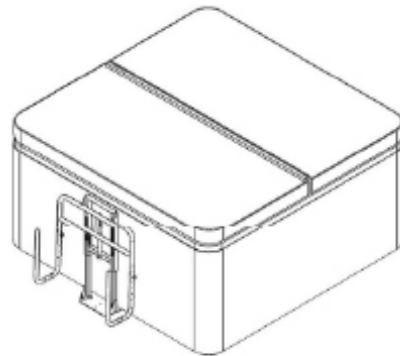


Figure 12

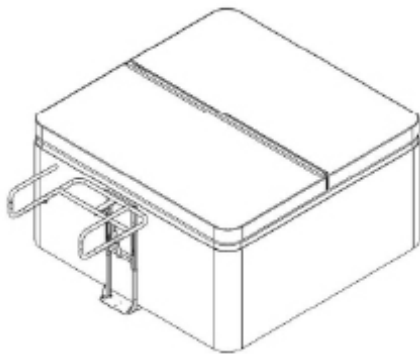
13 To use the Cover Caddy, follow the steps in Fig 13.



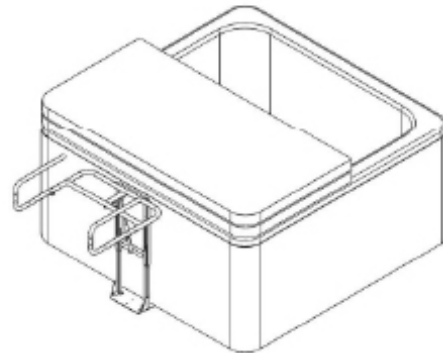
A. Cover on the spa with Cover Caddy stowed



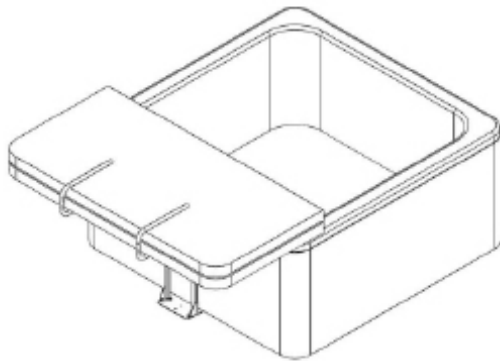
B. Rotate the arms outward and make sure the spring pins lock.



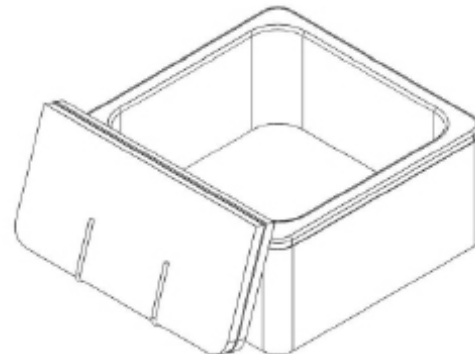
C. Cover Caddy deployed



D. Fold the cover in half



E. Slide the cover in between the U-Arms



F. Push the cover downward

Figure 13