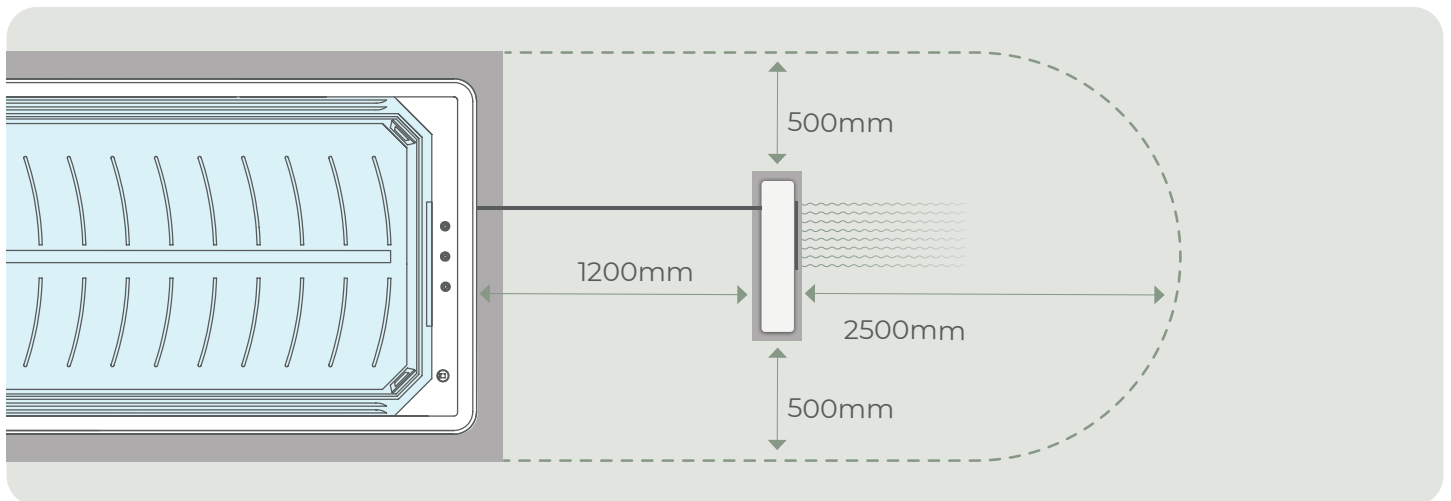


Heat Pump Installation Guide

Considerations

- + A heat pump can be added to the purchase of any Transform or Elevate spa, as well as our entire swim spa range.
- + Heat pumps reduce running costs by up to 75%, essentially paying for themselves within several years.
- + Heat pumps must be placed a minimum of 1.2m away from the spa to ensure they cannot be used as a climbable surface, which is dangerous.
- + There must be a minimum 3m clearance in the front and 1.5m behind the unit to allow airflow to circulate efficiently.
- + The unit needs to be placed on a concrete foundation.



Heat Pump Foundation

Heat pumps weigh up to 45kg and must be placed on a concrete foundation. Ensure you consider the spacing requirements when planning the placement and installation of your spa.

Heat Pump Installation

We recommend plumbing and connecting the heat pump before filling your spa with water. You will need two different types of technicians to do this. We recommend using your regular technicians or looking for local ones if you do not have your own regular ones.

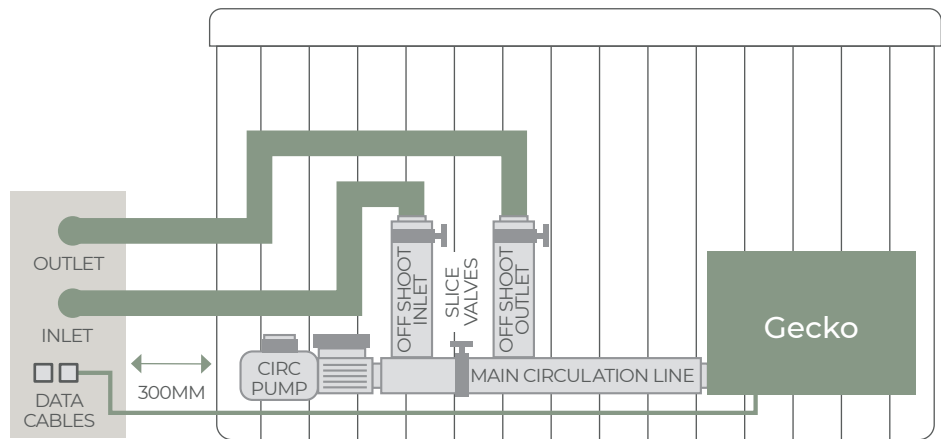
1. A certified electrician is required to connect the heat pump wiring to the spa.
2. A certified plumber is required to plumb the heat pump pipes to the spa.

Placement

- + Refer to the foundation requirements on previous page.
- + All our pools come pre-plumbed with heat pump unions. Refer to the schematic layouts to see where the heat pump unions are positioned within your mould. This is outlined in your spa pool or swim spa guide.

Required Materials

- + 40mm PVC pressure pipe, enough to suit the plumbing configuration of where your heat pump sits in relation to the pool.
- + 40mm hole saw for cabinet drilling.
- + Hacksaw.
- + PVC pipe cement.



Installation

1. Ensure power is off and remove the cabinet panel where the heat pump connection sits.
2. Decide where the plumbing will come in through the cabinet and drill 2 x 40mm holes to accommodate the input and output of the heat pump piping.
3. Close the two shut off valves at either end of the heat pump unions.
4. Plumb the correct unions from the heat pump to the pool.
5. Purge air from the heat pump by loosening the outlets until water starts to drip, then tighten it back up.
6. Connect the power cable from the heat pump to one of the 230V main outlets on the Gecko controller.
7. Connect the heat pump data cable to the EXP2 data socket of the Gecko controller.
8. Restore power to the pool and turn on jets to ensure the water is flowing and free of airlocks.
9. Use the Gecko manual to set user controls for the heat pump and set how it works with the variable heater.