

Swim Spa Covers Guide

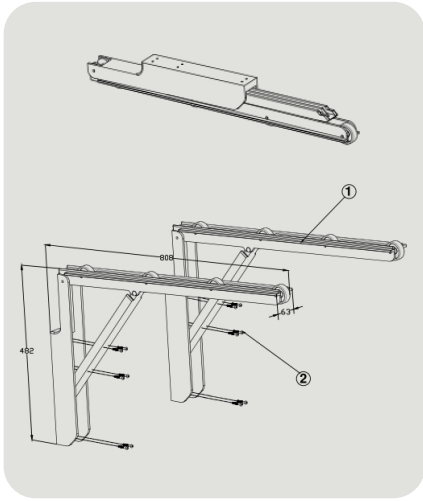
Hard Cover Installation



Depending on the length of your swim spa or plunge pool, you will have between two and four sections of the hard cover.

1. Position the covers on the swim spa or plunge pool, ensuring that the cover skirt is smooth and not folded in any location.
2. Pull the first strap tightly downward, then press the buckle against the unit cabinet.
3. Whilst holding the buckle against the cabinet, release the top strap from the buckle by pressing the sides and unclipping. Mark the three mounting locations where you will screw the base of the buckle onto the cabinet.
4. Use the supplied screws to secure the base of the buckle onto the cabinet.
5. Repeat steps two - four for the remaining straps.
6. You should now be able to tightly and safely secure your covers to the cabinet.

Cover Assisted Remover Installation



The assisted remover helps you to roll the hard cover on and off the swim spa or plunge pool. It is not intended to be used as a shelf and cannot hold the weight of the cover.

1. Ensure you have 90cm clearance at the end you are positioning the cover lifter.
2. Position the assisted cover remover at one end of your swim spa or plunge pool.
3. Your rollers will arrive flat - extend the arms to a 90° angle.
4. Align the flat roller surface with the top edge of the pool so that the roller is flush with the cabinet.
5. Align screws with the holes and secure them into place.

Rolling Cover Installation



There is no lever on the rolling cover, so standing within the unit is the easiest way to roll it when you are by yourself.



1. Place the cover on top of the swim spa or plunge pool at one end.
2. Roll out the cover until it is completely flat and covers the unit from end to end.
3. Tuck the rolling cover's skirt over the edges of the acrylic top.

4. With one person standing at each end of the cover, simultaneously pull the safety straps until the surface becomes smooth, perfectly covering the entire unit. If you don't have enough strength, you can use a buckle tensioner to help.
5. Pull the strap tightly downward, then press the buckle against the cabinet.
6. While holding the buckle against the cabinet, release the strap and mark the three mounting locations on the cabinet.
7. Use the supplied screws to secure the buckle onto the cabinet.
8. Repeat steps 4-6 for the remaining straps.

Rolling Cover Shelf Installation

Your swim spa or plunge pool rolling cover will come with a cover shelf that will hold the weight of the rolled cover.

1. Ensure you have 80cm clearance at the end you are putting the cover shelf.
2. Position the brackets approximately 1.3m apart and ensure the flat surface is flush with the top of the unit.
3. Attach the cover shelf bracket to the swim spa cabinetry using the provided screws.



Care and Maintenance

Think of your cover like any outdoor product such as outdoor furniture and your home's exterior - how well you maintain it will determine its appearance and longevity.

- + Avoid exposing the cover to excessive chemicals - ensure you always remove the cover when shock dosing.
- + Maintain correct water chemistry. Any texture change or extreme discolouration of the bottom material indicates a chemical burn.
- + Keep the cover clean and free of dirt and debris to increase its lifespan. Remove leaves or other debris to avoid colour leaching.
- + Remove any water or snow accumulation and dirty water marks between the support rods of the cover to avoid any damage and staining.
- + Use a colour-maintain spray on the cover every season.
- + Use a waterproof agent spray on the cover every six months.
- + Use a mild detergent and water solution to clean the outer fabric portion once a month.
- + Avoid scraping the cover on rough surfaces.
- + Avoid jerking or pulling the cover to protect threads from tearing the vinyl.
- + Always unfasten all hardware before opening the cover.
- + Do not sit, walk, or lay on the cover.
- + Avoid placing any heavy objects on the cover.

Cover Warranty

- + Upon discovery of any defect within the warranty period, contact [Galaxy Spas Support](#) to submit a warranty claim.
- + Proof of purchase is required for all warranty claims and additional information may be needed, including pictures.

Warranty Exclusions

- + Minor deterioration, normal and natural fading.
- + Damages, such as but not limited to: snow, wind, falling objects, animals, or any acts of God.
- + Covers subjected to any alterations, misuse, abuse, or any repairs attempted by anyone other than Galaxy Spas.
- + Damages as a result of improper operation, such as but not limited to: violently dragging or pulling the cover, improperly storing, transporting, installing, or unlocking the buckles when the cover is covering the swim spa or plunge pool.
- + Damages or discolouration due to improper water chemistry maintenance, including excessive chlorination, bromination, or contact of chemicals onto the cover.
- + Natural fading or discolouration due to not using any colour-maintain agent or waterproof agent.
- + Defects caused by an accessory or external part of the cover, such as the cover shelf/assisted remover.
- + Chafing or wearing holes due to dragging on rough surfaces or sharp objects.
- + Torn handles - handles are designed to open the cover only, not for carrying or removing the cover.
- + Torn tie-downs - tie-down straps are designed to secure the cover only, not for opening or removing the cover.
- + Missing black caps - if black caps are missing due to violent dragging or pulling.
- + Water-logging or water accumulation between the two support rods of the cover.