



GALAXY SPAS

Your Dual Zone
Swim Spa Guide

Hyperion • Oceanus

Introduction

This document will guide you through the process of becoming a Galaxy swim spa owner, preparing you for the delivery and installation of your swim spa and its accessories.

Many important considerations and actions are required so please read this guide thoroughly and refer to the pre-delivery checklist before the arrival of your swim spa.

You can find a wide range of support content and videos for owners on our website's support page.



Contents

Spec Sheets

Hyperion 4



Oceanus 5



Pre-Delivery Guide	6
Swim Spa Delivery	7
Choosing Your Swim Spa's Placement	8
Positioning Requirements	9
Fencing	9
Above ground	9
Below ground	9
Electricity	9
Heat pump position	9
Service area	10
Cover lifter clearance	10
Cover locks	10
Foundational Requirements	11
Concrete pad	11
Heat pump foundation	11
Swim spa steps	12
Drainage	12
Building Regulations and Consent	13
Building code compliance	13
Placement and landscaping considerations	13
Above ground installation	13
In ground installation	14
Pre-Delivery Checklist	17
Installation Guide	18
First Steps	19
Cover Installation	20
Electrical Installation	24
Heat Pump Installation	27
Filling Your Swim Spa	28
Gecko Touchpad Start Up Guide	30
Water-care Guide	38
Galaxy Super Chlor Start-Up Kit	39
simplesilver™	43

Hyperion

People
14

Size (m)
5.9 x 2.35 x 1.29 / 1.54*

Swim System
4 turbo jets

Insulation
5 layer

Amps
32 + 15 / 55

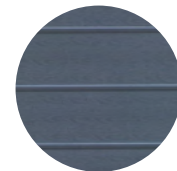


*Available in two depths.
1.29m / 1.54m

The 5.9m long Hyperion is a dual-zone swim spa featuring a dedicated swim area and separate hot water hydrotherapy spa. Designed for a superior training experience, the swim zone allows you to customise your water speed via 10 speed settings, whilst patented swim technology ensures a powerful yet smooth, continuous flow of water, keeping you in a natural swim position. The separate hot water zone boasts 47 massage jets across two loungers and three seated positions, providing you with a restorative massage experience.



Acrylic
Sterling silver



Cabinet
Slate grey

Jets 35 massage jets 12 air jets	Jet system Starry sky jets and fittings	Controller Gecko	Pool body Galvanised steel ABS base Horizontal cabinet Backlit control dials Swimming pole base
Weight 1236kg / 1384kg dry 8936kg / 10684kg filled	Water capacity 7700L / 9300L	Filtration CD ozone and mixing chamber	Optional extras 4-tier steps WiFi unit Heat pump
Heater 3kW	Lighting Water level lighting	Pumps Swim Zone: 2 x 3.5hp inverter pumps, 1 x 3hp pump, 1 x 1hp circulation pump Spa Zone: 2 x 2hp massage pumps, 1 x 0.35hp circulation pump	

Warranty

10
YEARS

Structural

5
YEARS

Acrylic

5
YEARS

Heaters and jets

2
YEARS

Equipment

Oceanus

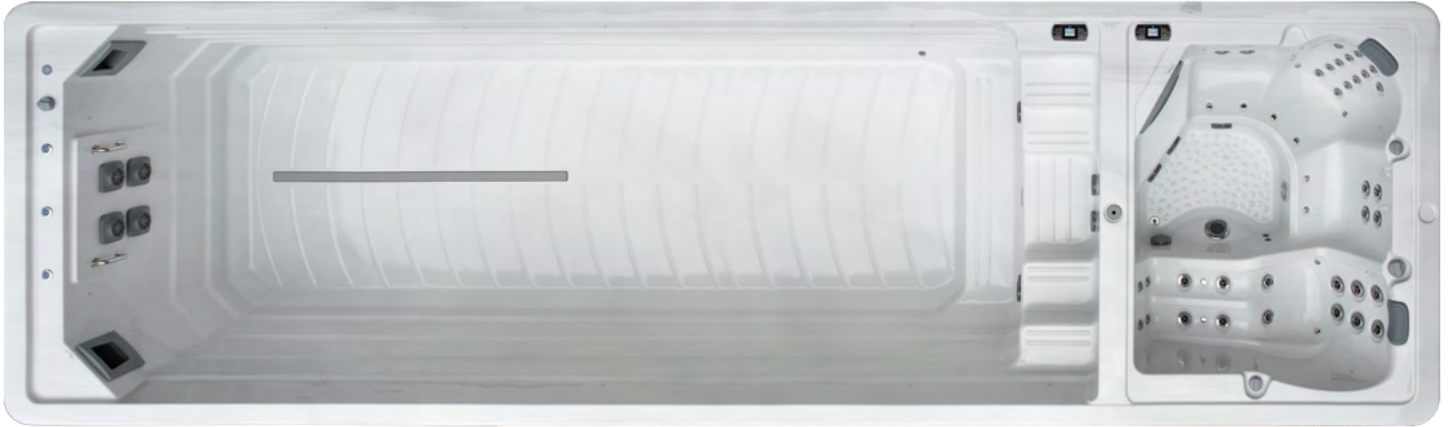
People
20

Size (m)
7.97 x 2.35 x 1.54

Swim System
4 turbo jets

Insulation
5 layer

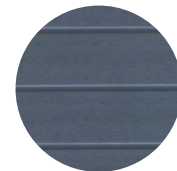
Amps
55



Train, play, relax and recover in the Galaxy Oceanus. An extra length version of the Hyperion, this 8m dual-zone caters to the entire family. Designed for a superior training experience, the swim zone allows you to customise your water speed via 10 speed settings, whilst patented swim technology ensures a powerful yet smooth, continuous flow of water, keeping you in a natural swim position. Enjoy the benefits of the separate hot spa zone, with 47 jets optimally placed for effective recovery, hydrotherapy and relaxation.



Acrylic
Sterling silver



Cabinet
Slate grey

Jets 35 massage jets 12 air jets	Jet system Starry sky jets and fittings	Controller Gecko	Pool body Galvanised steel ABS base Horizontal cabinet Backlit control dials Swimming pole base
Weight 1870kg dry 15870kg filled	Water capacity 14000L	Filtration CD ozone and mixing chamber	Optional extras 4-tier steps WiFi unit Heat pump
Heater 3kW	Lighting Water level lighting	Pumps Swim Zone: 2 x 3.5hp inverter pumps, 1 x 3hp pump, 1 x 1hp circulation pump Spa Zone: 2 x 2hp massage pumps, 1 x 0.35hp circulation pump	

Warranty

10
YEARS Structural

5
YEARS Acrylic

5
YEARS Heaters and jets

2
YEARS Equipment

SECTION 1.

Pre-Delivery Guide

Everything you need to plan and consider
before your Galaxy swim spa arrives.

Swim Spa Delivery

We will assist in the planning of delivering and placing your swim place into position to ensure the process is as stress-free as possible. Our team will speak to you about access to the swim spa pad and will likely request photos or plans. From here, our fulfilment manager will be your point of contact to organise a site visit, plan your bespoke delivery and coordinate dates and times.



The fulfilment manager and delivery agents will assess:

- + Powerlines
- + Road access
- + Geography
- + Driveway accessibility
- + Obstacles such as fencing, house placement, neighbours and trees.

Bespoke delivery.

Bespoke delivery will be planned based on the above obstacles. Your swim spa will likely require a HIAB, crane, or in some scenarios, a helicopter to be safely placed in the correct position.

Inspection upon delivery.

When your swim spa is delivered, you must be present and thoroughly inspect the swim spa before accepting delivery. This includes removing the outer packaging and ensuring no damage has occurred during freight. Claims for damage can only be accepted if issues are written on the consignment / delivery note you'll be asked to sign and then communicated to Galaxy Spas within 24 hours of delivery.



Choosing Your Swim Spa's Placement

For the best experience, the placement and orientation of your new swim spa should be carefully planned. There are important positioning, foundational and electrical requirements outlined in this section to ensure smooth delivery and installation. Refer to the checklist on page 17.

Whether to ensure a private sanctuary, have a line of sight to supervise your kids in the swim spa, or entertain guests easily, here are our top considerations when designing your outdoor swim spa space.



1. Space.

When considering which model to opt for, it is important to accurately measure your area to ensure the swim spa fits your outdoor space. Refer to page 9 for spacing requirements. The positioning of the swim spa has a lot to do with the overall feel of your outdoor space. Think about the wider picture of how you wish your overall space to flow, including any landscaping you might want to complete now or in the near future.



2. View.

You will use your swim spa for relaxation, training and play. Your model has hydrotherapy seating, so consider where you would like the seats to face.



3. Privacy.

If privacy is important to you, think about the most private place for your swim spa. Consider neighbours, somebody coming to the door and sight lines of people walking or driving past.



4. Weather.

Where is the most sheltered spot you can place your swim spa? Out of the wind and in the sun is ideal and not too far from the house for those chilly nights. If you are in a particularly hot and sunny climate, a slightly more sheltered spot is advised to reduce prolonged high UV exposure, to protect both those in the swim spa and the unit itself.



Positioning Requirements

Fencing

Most councils will have rules around fencing requirements for swim spas to keep you and your loved ones safe.

Above ground.

No fencing is required if your swim spa sits 0.76m above ground. All Galaxy swim spas are over 1.2m tall, so no fencing is required as long as the swim spa has a lockable cover.

Below ground.

If you are sinking your swim spa into the ground or building decking around the spa higher than 0.76m, a fence is required for safety compliance.

We recommend contacting your council to discuss any fencing requirements for your region. Fencing is the homeowner's responsibility and we want you to have the safest swim spa environment and adhere to any local pool fencing bylaws.

See page 13 for further details on building consent.

Electricity

See page 24 for a comprehensive outline of the electrical requirements of your swim spa.

Listed here are some initial considerations regarding positioning.

- + Does your home have the electrical capacity to run a 50 amp swim spa?
- + Based on proximity to your power supply, are there particular areas in which you can or cannot place your swim spa? This may be important to consider if you have a large property.
- + Your swim spa will need to be hardwired by an electrician and does not come with a power cord. We recommend consulting with your electrician before confirming positioning.

Heat Pump Position

- + Connect your 7.5kw heat pump to your swim zone, as this contains the larger body of water to heat. You can also connect a second 5kw heat pump to your spa zone to reduce heating costs further.
- + A heat pump needs to be placed on a level concrete foundation.
- + It must be positioned a minimum of 1.2m away from the swim spa so it cannot be used as a climbable surface.
- + There needs to be a minimum 2.5m clearance in front and 1.2m behind a heat pump to circulate air flow efficiently.
- + We do not recommend placing a heat pump more than four metres away from the swim spa. Please note that any bend in the heat pump piping (i.e. if the heat pump is being placed around a corner) counts as a metre extension. A distance of more than four metres can put too much pressure on your circulation pump, so the warranty on the pumps will be voided.

Service Area

Your swim spa's panels will need to be removed during servicing, so you must ensure a minimum of 50cm of spacing is left free around all four sides.

- + If you plan to sink your swim spa into a deck, you must provide sufficient space for a service agent to access all panels. We recommend adding a removable decking component.
- + If you plan to sink your swim spa into the ground, you must build in a serviceman trench the entire way around the unit.

Cover Lifter Clearance

Whether you have opted for a rolling or hardcover, the corresponding cover shelf or assisted cover remover will require a minimum of 90cm clearance. We recommend allowing a little more than this, so you have room to move around this end of the spa.

Cover Locks

- + The swim spa cover requires 32.5cm of space from the top of the installed cover down each side of the cabinet to the lock clips.
- + This space is required. Not providing the necessary clearances will mean you cannot install or lock your cover properly.
- + Even when your swim spa is fenced, we recommend locking your cover locks to prevent the wind from dislodging the cover or unattended children from entering the swim spa.



Foundation Requirements

Concrete Pad

Once full, your new Galaxy swim spa can weigh over seven tonnes, so it needs to sit on a level surface that supports the entire base. A foundation for the swim spa will require at least a 15-20cm-thick steel-reinforced, cured concrete pad. We recommend an extra 10cm clearance on each side of the swim spa. Occasionally, a swim spa is placed on a suitably built deck. However, a qualified builder or engineer must load-check the deck and provide a signoff.

See below for the specific measurements for each model of Galaxy swim spa.

Planning your foundation (not including steps/heat pump)

Spa model	Swim spa dimensions	Recommended concrete pad dimensions
Hyperion	5.9m x 2.35m	6.1m x 2.55m
Oceanus	8.0m x 2.35m	8.2m x 2.55m

Heat Pump Foundation

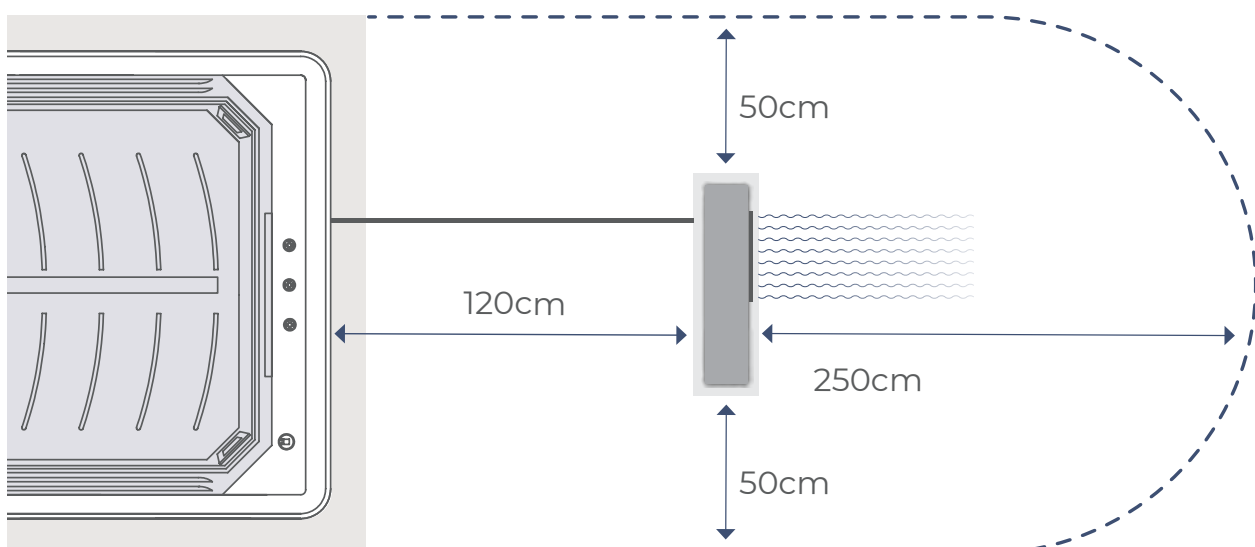
Heat pumps weigh up to 45kg and must be placed on a well-supported flat surface. We recommend a concrete foundation.

7.5kw heat pump dimensions (required for your swim zone):

Length: 90.2cm
Width: 42.3cm
Height: 66.1cm

5.0kw heat pump dimensions (optional for your spa zone):

Length: 79.4cm
Width: 39.5cm
Height: 55.5cm



Swim Spa Steps

Steps need a flat, level foundation to sit on. Do not fix them in place, as then they are deemed a climbable object.

Four tier step dimensions:

Length: 114cm

Width: 60cm

Height: 80cm



Drainage

Water splashing over the side of a swim spa is very common. Children playing or having a pool full of people is all part of the experience.

- + Drainage must be considered to prevent water pooling around the swim spa's base. Flooding issues are not covered under warranty. We recommend incorporating drainage channels into your foundation to direct water away from the swim spa.
- + You will also need to consider drainage when changing your swim spa's water. A hose attachment comes with your unit. We recommend having a dedicated piece of hose long enough to reach your wastewater or garden.
- + If draining the water onto your grass or garden area, let the water temperature drop first.

Building Regulations & Consent

Building Code Compliance

As the homeowner, you are responsible for understanding and complying with legislation and local bylaws related to installing a swim spa.

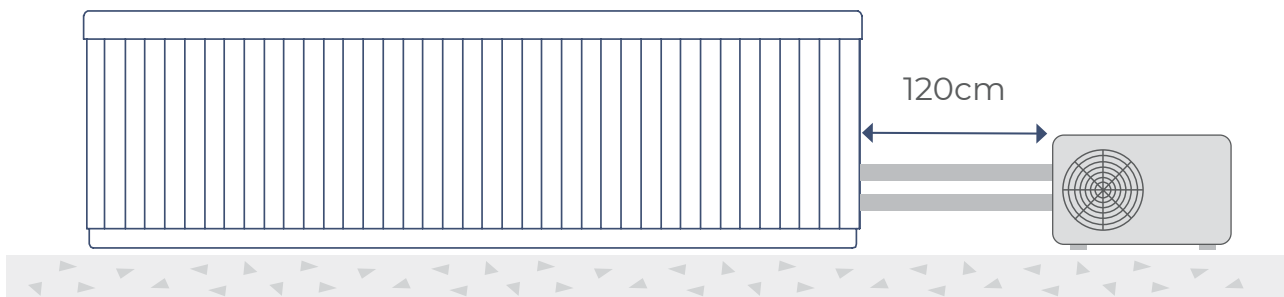
- + Your local council may have additional rules and regulations you must adhere to.
- + Building consent is required for some installation applications (outlined below).

Placement and Landscaping Considerations

Above ground installation.

This is the most common installation form, where the swim spa is placed on a concrete foundation.

- + Building consent - your swim spa is over 1.2m in height, so its walls act as a barrier or pool fence.



In ground installation.

If you choose to sink the swim spa below the ground or build a deck around it, there are a few considerations you will need to take into account.

Building consent:

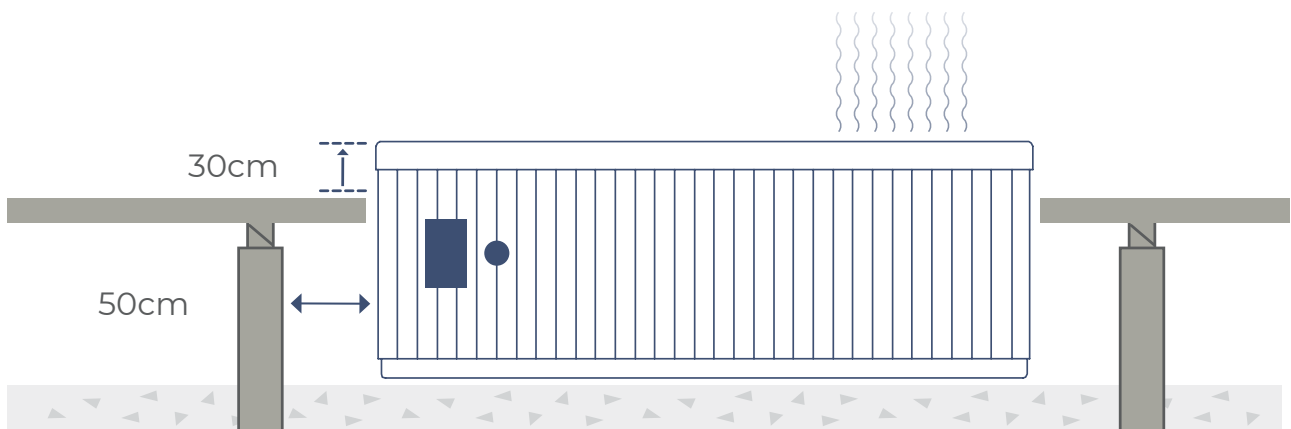
- + You will need to install a fence around your swim spa and deck to prevent unaccompanied minors and animals from climbing onto / into the spa.
- + The fence will require building consent.

Clearance:

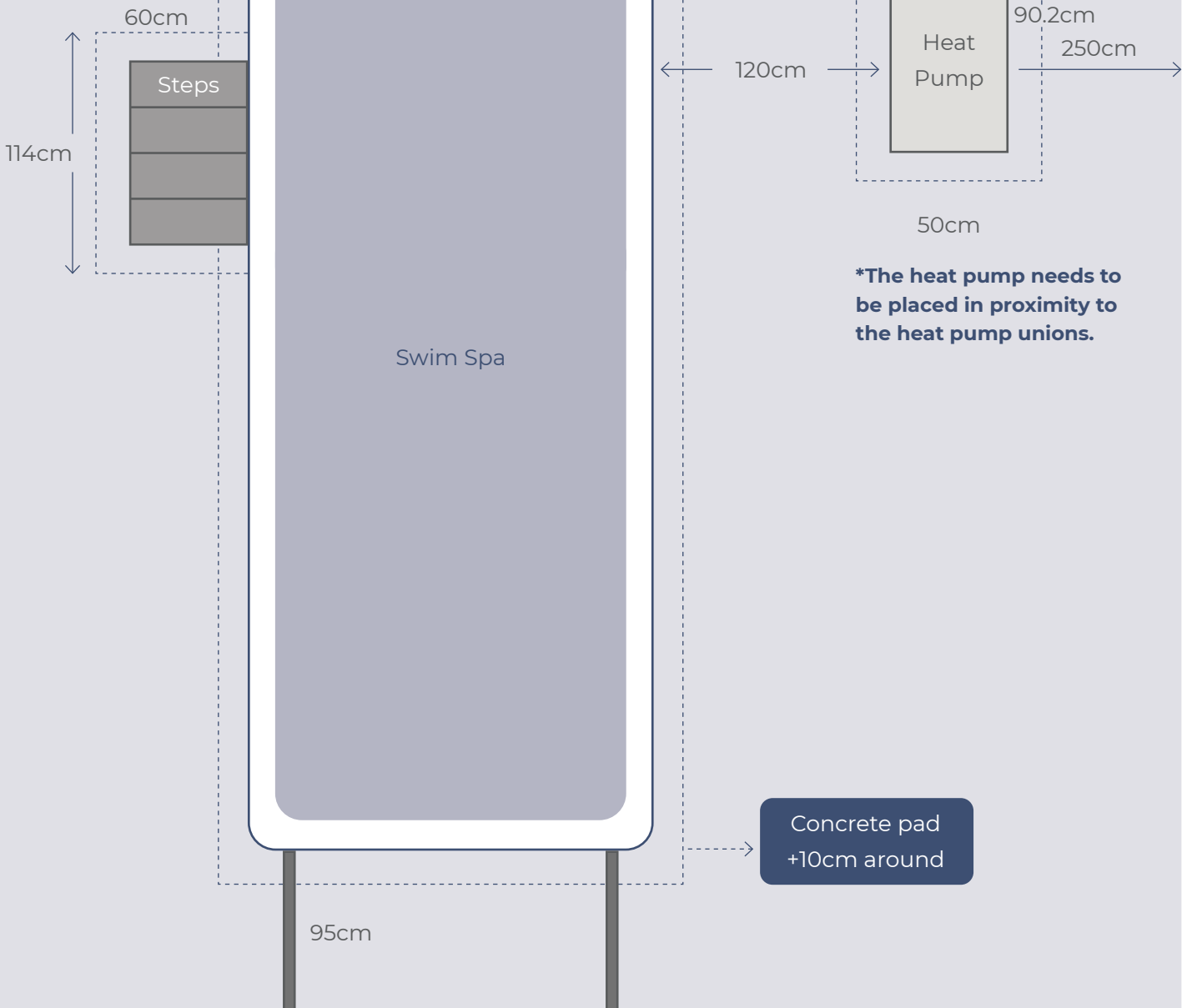
- + Ensure there is 50cm of access space around all sides of the swim spa.
- + If building a deck around the unit, ensure the supports are positioned the same distance away from the side of the swim spa.

Considerations:

- + How will you access the drain valves at the base of your swim spa? They will need to be accessible to drain two zones of the pool.
- + Is there sufficient space / clearance for the servicing area, desired accessories and clips for the lockable cover?
- + The swim spa cover requires 30cm of clearance from the top of the shell on each side in order to install the lockable cover. If this cannot be achieved, other measures might need to be taken such as clipping it into the deck.

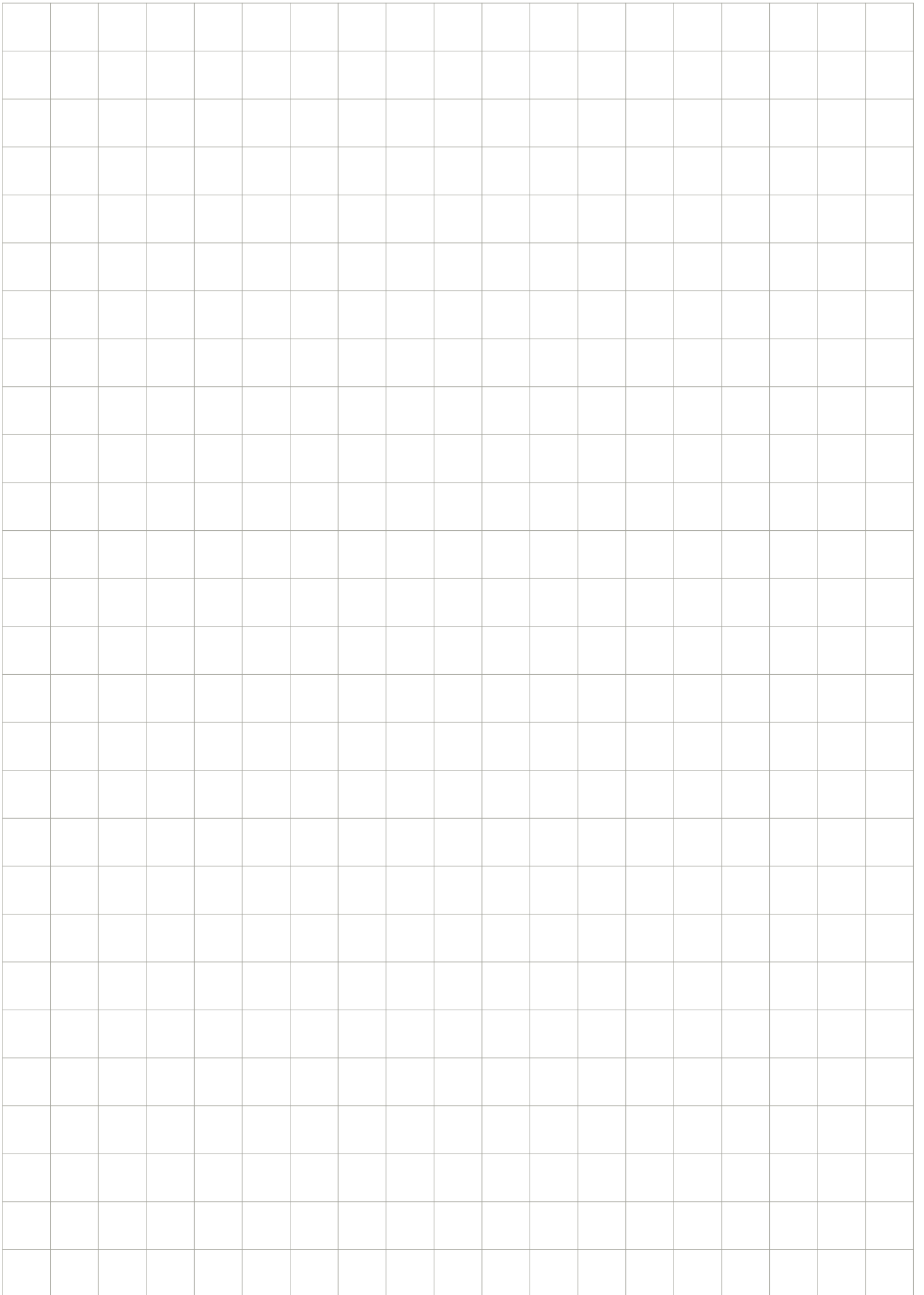


If you want to move your steps, think about extending your concrete pad.



***The heat pump needs to be placed in proximity to the heat pump unions.**

We recommend placing your assisted cover remover or cover shelf at the swim zone end, allowing for 95cm of clearance.



Pre-Delivery Checklist

1. Have you checked your property's access and discussed delivery access with our team?

2. Have you considered your chosen placement's view, privacy and weather conditions?

3. Have you checked if you need to fence your swim spa?

4. Do you need to arrange any electrical requirements before delivery?

5. Have you considered the service area and accessory clearances?

6. Do you have a concrete pad foundation with room for steps?

7. Is your swim spa's fencing building code compliant?

8. Have you planned for adequate draining solutions?

9. Have you arranged to be on site during delivery and do you understand the obligation to inspect your swim spa before signing the consignment / delivery note?

10. Have you read the Installation Guide below and completed any pre-delivery or at the point of delivery actions?

Notes:

SECTION 2.

Installation Guide

Everything you need to know once your swim spa arrives.

First Steps

1. Remove the swim spa's packaging.

This includes the plastic outer and the thermal wrapping, which you may wish to save for future use. Remember to inspect the swim spa upon delivery for any freight damage.

2. Assemble your cover and cover accessory.

Install your hard or rolling cover, as well as the assisted cover remover or shelf before filling the swim spa with water.

See full instructions on page 21.

3. Assemble your steps.

Your steps will not be fixed to the swim spa, so you can assemble these at any time.

Full instructions will arrive with your steps.



Cover Installation

Hard Cover Installation

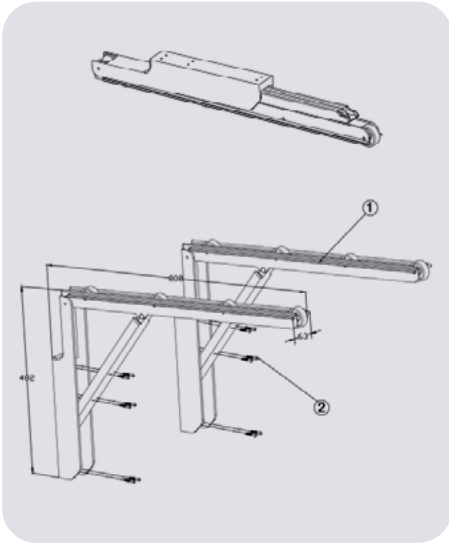
Hyperion: three hard cover sections

Oceanus: four hard cover sections

1. Position the covers on the swim spa or plunge pool, ensuring that the cover skirt is smooth and not folded in any location.
2. Pull the first strap tightly downward, then press the buckle against the unit cabinet.
3. Whilst holding the buckle against the cabinet, release the top strap from the buckle by pressing the sides and unclipping. Mark the three mounting locations where you will screw the base of the buckle onto the cabinet.
4. Use the supplied screws to secure the base of the buckle onto the cabinet.
5. Repeat steps two - four for the remaining straps.
6. You should now be able to tightly and safely secure your covers to the cabinet.



Cover Assisted Remover Installation



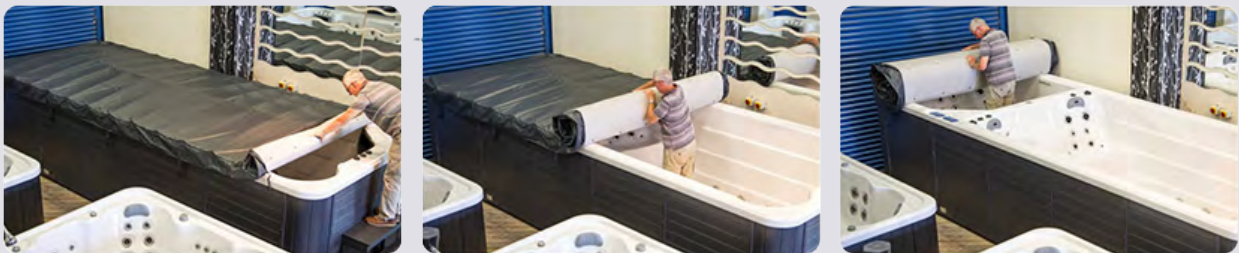
The assisted remover helps you to roll the hard cover on and off the swim spa or plunge pool. It is not intended to be used as a shelf and cannot hold the weight of the cover.

1. Ensure you have 90cm clearance at the end you are positioning the cover lifter.
2. Position the assisted cover remover at one end of your swim spa or plunge pool.
3. Your rollers will arrive flat - extend the arms to a 90° angle.
4. Align the flat roller surface with the top edge of the pool so that the roller is flush with the cabinet.
5. Align screws with the holes and secure them into place.

Rolling Cover Installation



There is no lever on the rolling cover, so standing within the unit is the easiest way to roll it when you are by yourself.



1. Place the cover on top of the swim spa or plunge pool at one end.
2. Roll out the cover until it is completely flat and covers the unit from end to end.
3. Tuck the rolling cover's skirt over the edges of the acrylic top.
4. With one person standing at each end of the cover, simultaneously pull the safety straps until the surface becomes smooth, perfectly covering the entire unit. If you don't have enough strength, you can use a buckle tensioner to help.
5. Pull the strap tightly downward, then press the buckle against the cabinet.

6. While holding the buckle against the cabinet, release the strap and mark the three mounting locations on the cabinet.
7. Use the supplied screws to secure the buckle onto the cabinet.
8. Repeat steps 4-6 for the remaining straps.

Rolling Cover Shelf Installation

Your swim spa or plunge pool rolling cover will come with a cover shelf that will hold the weight of the rolled cover.

1. Ensure you have 80cm clearance at the end you are putting the cover shelf.
2. Position the brackets approximately 1.3m apart and ensure the flat surface is flush with the top of the unit.
3. Attach the cover shelf bracket to the swim spa cabinetry using the provided screws.



Care and Maintenance

Think of your cover like any outdoor product such as outdoor furniture and your home's exterior - how well you maintain it will determine its appearance and longevity.

- + Avoid exposing the cover to excessive chemicals - ensure you always remove the cover when shock dosing.
- + Maintain correct water chemistry. Any texture change or extreme discolouration of the bottom material indicates a chemical burn.
- + Keep the cover clean and free of dirt and debris to increase its lifespan. Remove leaves or other debris to avoid colour leaching.
- + Remove any water or snow accumulation and dirty water marks between the support rods of the cover to avoid any damage and staining.
- + Use a colour-maintain spray on the cover every season.
- + Use a waterproof agent spray on the cover every six months.
- + Use a mild detergent and water solution to clean the outer fabric portion once a month.
- + Avoid scraping the cover on rough surfaces.
- + Avoid jerking or pulling the cover to protect threads from tearing the vinyl.
- + Always unfasten all hardware before opening the cover.
- + Do not sit, walk, or lay on the cover.
- + Avoid placing any heavy objects on the cover.

Cover Warranty

- + Upon discovery of any defect within the warranty period, contact [Galaxy Spas Support](#) to submit a warranty claim.
- + Proof of purchase is required for all warranty claims and additional information may be needed, including pictures.

Warranty Exclusions

- + Minor deterioration, normal and natural fading.
- + Damages, such as but not limited to: snow, wind, falling objects, animals, or any acts of God.
- + Covers subjected to any alterations, misuse, abuse, or any repairs attempted by anyone other than Galaxy Spas.
- + Damages as a result of improper operation, such as but not limited to: violently dragging or pulling the cover, improperly storing, transporting, installing, or unlocking the buckles when the cover is covering the swim spa or plunge pool.
- + Damages or discolouration due to improper water chemistry maintenance, including excessive chlorination, bromination, or contact of chemicals onto the cover.
- + Natural fading or discolouration due to not using any colour-maintain agent or waterproof agent.
- + Defects caused by an accessory or external part of the cover, such as the cover shelf/assisted remover.
- + Chafing or wearing holes due to dragging on rough surfaces or sharp objects.
- + Torn handles - handles are designed to open the cover only, not for carrying or removing the cover.
- + Torn tie-downs - tie-down straps are designed to secure the cover only, not for opening or removing the cover.
- + Missing black caps - if black caps are missing due to violent dragging or pulling.
- + Water-logging or water accumulation between the two support rods of the cover.

Electrical Installation

A registered electrician must complete all electrical work to be covered under our warranty. Galaxy Spas is unable to arrange or advise on electrical services.

Model	Swim Zone Pump Configuration	Spa Zone Pump Configuration	Amps
Hyperion (1.29m depth)	2 x 3.5hp Inverter Pumps 1 x 3hp Massage Pump 1 x 0.35hp Circulation Pump	2 x 2hp Massage Pump 1 x 0.35hp Circulation Pump 1 x 400W Air Blower	50A
Hyperion (1.54m depth)	2 x 3.5hp Inverter Pumps 1 x 3Hhp Massage Pump 1 x 1hp Circulation Pump	2 x 2hp Massage Pump 1 x 0.35hp Circulation Pump 1 x 400W Air Blower	50A
Oceanus (1.54m depth)	2 x 3.5hp Inverter Pumps 1 x 3Hhp Massage Pump 1 x 1hp Circulation Pump	2 x 2hp Massage Pump 1 x 0.35hp Circulation Pump 1 x 400W Air Blower	50A

Electrical Configuration

Hyperion and Oceanus

An electrician must hardwire the swim spa to a single 50 amp wire, splitting the power between the swim zone controller and the spa zone controller. The swim spa will load shed the swim zone heat pump and spa zone heater element. You can then use both zones simultaneously.

The factory default electrical configuration turns the heat pump and heater element off when all the other equipment is in use. Since the swim spa heats during the day (before use) to your set temperature, the heat pump and heater element do not need to run whilst you are in the swim spa and the water will maintain its heat for approximately 30 - 45 minutes. When you are finished using your swim spa and the other components are turned off, your heaters will kick on (if in standard mode).

In standard mode, the swim spa will heat when in a filtration cycle and whenever the water temperature drops below your set temperature. The circulation pump and heat pump run simultaneously when the spa is heating.

The above also applies if you purchase an additional 5.0kw heat pump to heat your spa zone.

Changing the electrical configuration:

Reference page 19 in the Gecko K800+ tech book found [here](#).

1. Click Settings
2. Click Electrical Configurations
3. Select 'Input Current'

Note - you may be prompted to enter the code 5555 before saving your changes.

In standard mode, the swim spa will heat when in a filtration cycle and whenever the water temperature drops below your set temperature. The circulation pump and heat pump run simultaneously when the spa is heating.

At 45 amps, you can use all your swim spa componentry simultaneously, including the heat pump.

Hyperion and Oceanus.

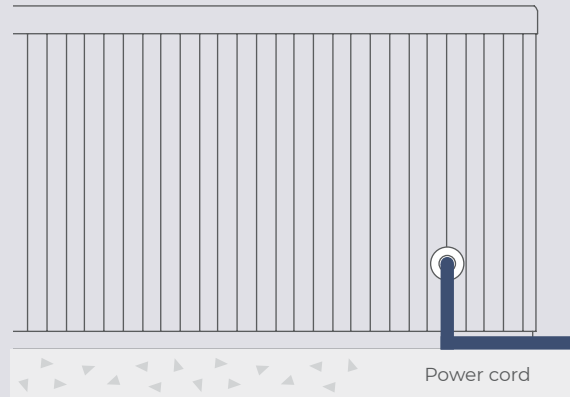


Hardwiring

There are two ways to hardwire the swim spa power cable to your house power supply:

Cabinet power feed

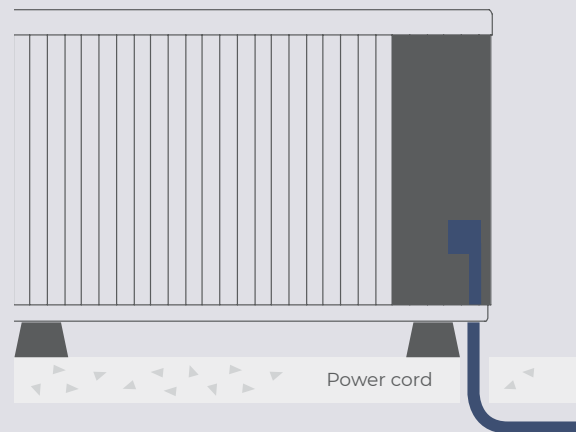
The power cable is fed through the cabinet by drilling through the closest panel to your outdoor electrical point and inserting a grommet. It is then run from the power source through the grommet in the cabinet and to the swim spa controllers.



Concealed power feed

If you wish to conceal the power cable and plan to bring the feed up through the bottom of the swim spa, the initial wiring and conduit will need to be in place before delivery. Ensure your cable comes up underneath the swim spa in the suggested input location.

When the swim spa arrives, have it lowered by the crane / HIAB onto supporting blocks or ice bags and open the cabinet panel. Measure the same entry point and drill a hole the width of the cable down through the base of the swim spa. Feed the cable up through the hole into the inside, remove the blocks and lower the swim spa gently onto the foundation.



Removing Side Panels

1. Unscrew the screws from the metal trim strip that frames the panel you wish to remove.
2. Remove the metal trim strip.
3. Unscrew the centre screw of the panel.
4. Gently pull the base of the panel towards you, then slide the panel down and out.

Installation Guides for Your Electrician

Installation guides for your specific control system can be found on the support page on our website. Please ensure your electrician has a copy of this guide and the relevant controller installation guide so they can provide you with the right advice and set-up for your particular swim spa model. [Gecko in.temp Heatpump Techbook](#), [Gecko Y Series Controller Techbook](#), [Gecko INK800 Swim Spa Techbook](#).

Heat Pump Installation

We recommend plumbing and connecting the heat pump before filling your swim spa with water.

Placement:

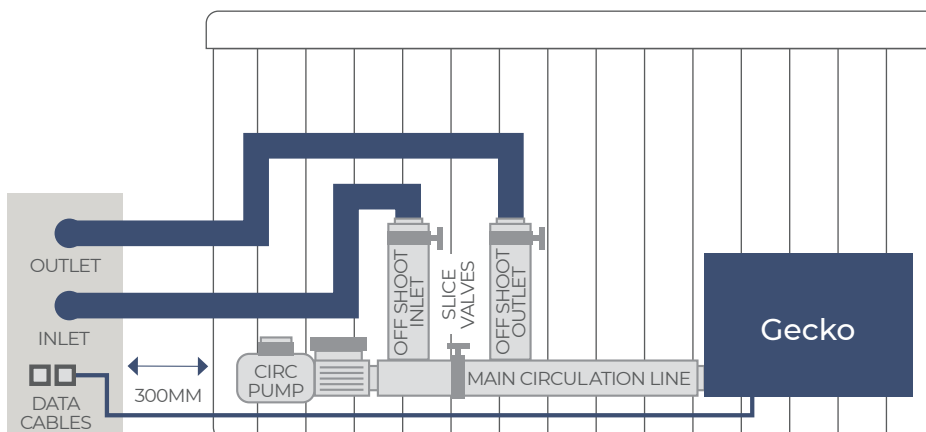
- + Refer back to the foundation requirements, page 11.
- + All our swim spas come pre-plumbed with the heat pump unions. Refer to the schematic layouts on the business plans above to see where the heat pump unions are positioned.

Required materials:

- + 40mm PVC pressure pipe - enough to suit the plumbing configuration of where your heat pump sits in relation to the swim spa.
- + 40mm hole saw for cabinet drilling.
- + Hacksaw.
- + PVC pipe cement.

Installation:

1. Ensure the power is off and remove the cabinet where the heat pump connection sits.
2. Decide where the plumbing will come in through the cabinet and drill 2 x 40mm holes to accommodate the input and output of the heat pump piping.
3. Close the two shut-off valves at either end of the heat pump unions.
4. Plumb the correct unions from the heat pump to the swim spa.
5. Purge air from the heat pump by loosening the outlets until water starts to drip, then tighten them back up.
6. Connect the power cable from the heat pump into one of the 230V mains outlets on the Gecko controller.
7. Connect the heat pump data cable to the RS485 port data socket of the Gecko controller.
8. Restore power to the swim spa and turn on jets to ensure the water is flowing and free of airlocks.
9. Use the [Gecko manual](#) to set user controls for the heat pump and set how it works with the variable heater.



Filling Your Swim Spa

We water test each swim spa at our factory and water residue may remain in the pipework. You may notice a smell related to this and may also notice some residue on or in the swim spa that has settled during production, testing or transport. This is completely normal and therefore, it is important you wipe out and then sanitise your swim spa prior to first use, following the steps below. We recommend hardwiring your swim spa and connecting the heat pump prior to filling the unit.

1.



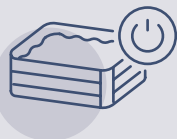
- + Fit your cover and assisted remover or shelf onto your swim spa.
- + Ensure the power to your swim spa is switched off.
- + Remove one of the filters from the spa zone and one from the swim zone. Place your garden or water truck hose into the filter baskets (this will help to prevent air locks in the plumbing).

2.



- + Fill up both zones to the recommended fill line, as indicated by the inside acrylic stickers.
- + Once done, remove the hose and replace the filters.

3.



- + Once both zones are full, turn on the power to the swim spa.
- + A priming cycle (also known as purging) will automatically run, clearing the pipes and testing the components.
- + Set your swim spa time and filtration cycles on the spa zone and swim zone touch pads, following the touchpad guide.

4.



- + Add the recommended chemicals to the water using the Galaxy Super Chlor Start Up Kit guide on page 39, or the simplesilver guide on page 43.
- + Allow the pumps to run for a few minutes with the cover off so the chemicals can mix.

5.



- + Set the two zones to your desired temperature. Typically a swim zone will be 29°C and a spa zone will be 39°C.

6.



- + If using chlorine: 4 - 6 hours after adding your chemicals test your water in both zones using the testing strips supplied in the Start Up Kit to analyse your water. You may need to adjust your chemicals depending on the results.

7.



- + Ensure your cover is down and tightly secured, then allow the swim spa to heat (12+ hours).

Draining Your Swim Spa

You will need to know where the drain valves are located for both zones so that you can change your water.



1. Twist the drain cap slowly in a clockwise direction while applying outward pressure. The drain valve is on a keyway and should slide open once this and the keyseat are lined up. The drain can be extremely tight initially but will loosen up after the initial use.



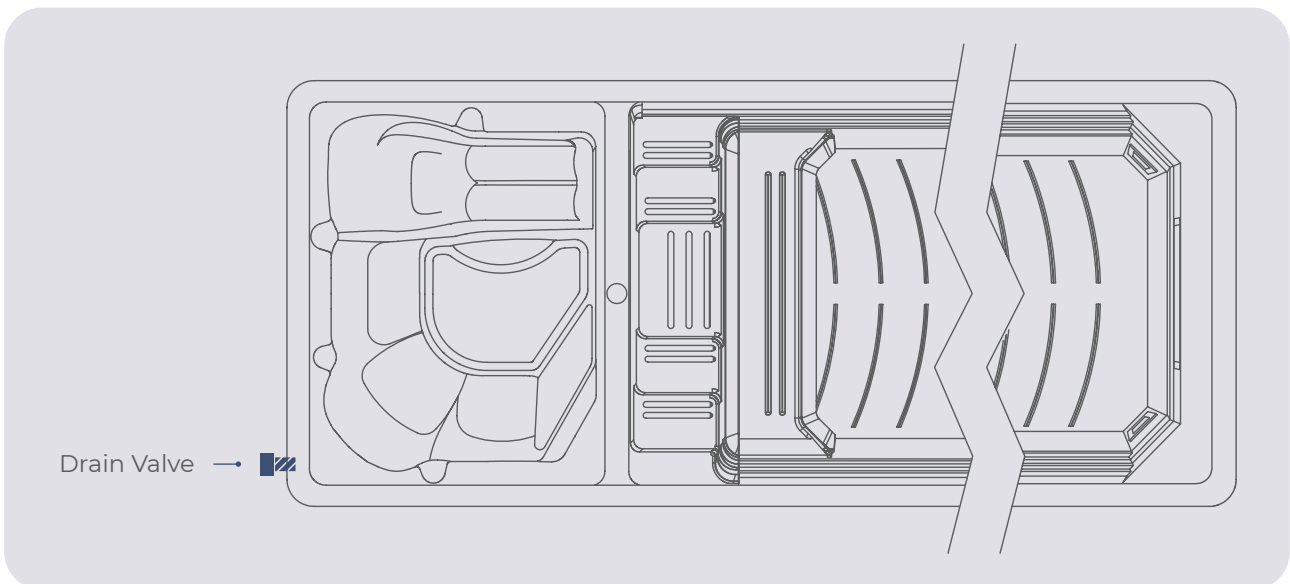
2. Once the drain shaft pops out, continue turning it clockwise until it pops out further.
3. Turn the screw cap anticlockwise to remove it. Once removed, attach your garden hose with the supplied fitting.



4. Push the valve halfway back to initiate draining (open position).
5. Pull the valve back out fully and remove the hose fitting by turning it anticlockwise. Replace the drain cap.

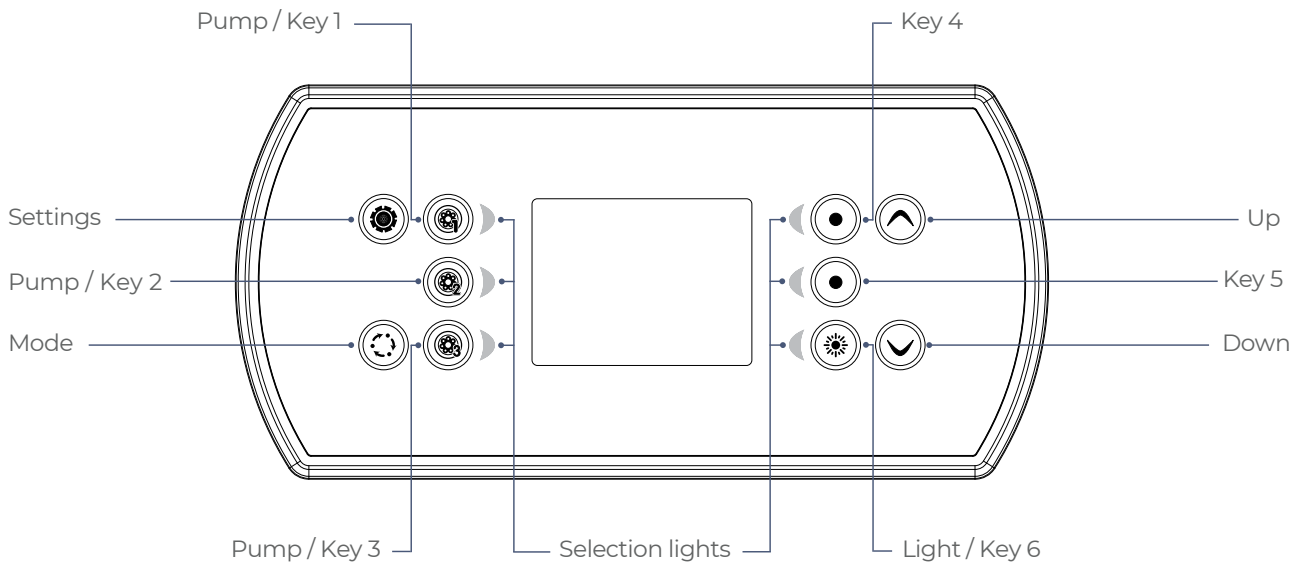


6. Turn the valve clockwise while pushing in and once completely closed, give it half a turn to lock it in place.



Gecko Touchpad Start Up Guide

Gecko in.k800 Keypad Layout



** Functions for keys 1 to 5 will depend on your system's low level configuration.*

This guide will help you to set up your two Gecko touchpads when your swim spa first arrives. Gecko componentry has a superb reputation for build quality, reliability and ease of use.

Instructions.

Turn keypad on

Press any button to turn the keypad on. After 30 minutes without activity, it will shut off.

Settings key

One press gives you access to a menu to manage the settings of your swim spa. Refer to the settings section for details about the settings menu.

Modes

Pressing the mode key will give you access to different spa functions, such as water care and maintenance and changing the display orientation.

Main screen

The main screen gives you access to your accessories and water temperature. At the bottom of the screen, you will see any error or maintenance messages that are present.



Keypad functions.

Start and stop features and accessories

To turn on your lights, press the light button (Key 6). When the feature turns on, the icon will become animated on the screen. Press the same button again to cycle through different colours and light settings.

Spa zone touchpad

Pump 1 and 2 control the jets within the spa zone only.

Swim zone touchpad

Pump 1 and 2 control the top two swimming jets connected to our two patented variable pumps. Pump 3 controls the bottom two swim jets.

Notifications.

The notification area on the top right of the screen shows the state of the accessories.



A lock icon will show that the keypad is locked. Refer to the keypad settings section for further information about locking your screen.



A WiFi icon indicates that you have purchased an in.touch WiFi module system set up to control your swim spa settings from afar. As the two zones have separate controllers that do not communicate, you will need two different modules to control both zones. If you only purchase a single module, we recommend connecting it to your spa zone.



Water temperature.

The temperature at the bottom of the screen shows the current water temperature in grey text. If you want to modify the set temperature, press the Up and Down keys and the new temperature will display in blue text (as shown). After three seconds without any change, the current water temperature will reappear.

When the set temperature is lower than the current temperature 'cooling to xx.x' will appear below. When the set temperature is higher, 'heating to xx.x' will appear. Normally there is a short delay before the heating starts, during which 'Heating Suspended' is displayed on the screen.



Settings.

Press the settings button to display the settings list. You will find:

- + Watercare
- + Heatpump (if installed)
- + Maintenance
- + Date and Time
- + Keypad settings
- + WiFi (if installed)
- + Miscellaneous
- + Electrical configuration
- + About

Use the arrow keys to move up and down the list. To select an option, press the lit button next to it (Pump 2). At any point, you can press the settings button to return to the home screen.



Water Care Settings

Choose, set or modify one of the five pre-set water care configurations below.

Watercare modes:

- + **Away from home / economy mode** - if you are going to be away from home for more than two weeks, select this mode. Your swim spa will be kept in economy mode and perform only the filtration it needs until you return. Your heater will only turn on if the water temperature drops six degrees below your set temperature. Why only six degrees? The colder your water is, the more expensive it is to heat.
- + **Standard / beginner** - if you want to use your swim spa as often as possible without having to change settings, select this mode. The swim spa heat pump will turn on every time the water drops below your set temperature, ensuring it is nice and hot whenever you wish to bathe.
- + **Energy savings** - select this mode if you wish to only use your swim spa during weeknights and weekends. During peak hours, your swim spa will be in economy mode and will not filter or heat unless the water drops six degrees below your set temperature, saving you in running costs. As evening approaches and on Saturday and Sunday, the swim spa will move into standard mode and the filtration cycle and heat pump will switch on, ensuring a warm bathing experience. You will need to manually add your economy times based on when your power company charges the most for power. If you are not sure when this is, or you want to ensure the swim spa is always warm by the time you get home from work, we recommend setting your economy mode time frame from 4am - 4pm, remembering that it takes approximately one hour to heat your water by one degree. Play around with this timeframe until you reach a point where your water temperature is perfect by the time you enter the swim spa.
- + **Super saver** - select this mode if you only want to use your swim spa during the evenings. During your selected peak hours, your swim spa will switch into economy mode. As evening approaches, the swim spa will move into the standard mode, with the filtration cycle and heat pump switching on. We recommend playing with your economy mode period to ensure your swim spa is warm when you wish.
- + **Weekender** - select this mode if you only want to use your swim spa on weekends. During the week, your swim spa will be in economy mode. Come the weekend, the swim spa will switch into standard mode and your heat pump will ensure your water stays at your set temperature all weekend long.

Modifying water schedules.

Your touchpad's default setting is to filter twice per day for two hours. This is not enough filtration to adequately clean your swim spa. If using Galaxy's Water Start Up Care Kit, set your filter cycles to two sets of four-hour filtering. If you are using simplesilver™, set your filter cycles to two sets of six-hour filtering. This applies to both touchpads.

You can modify the programmed schedules by selecting one and adjusting the schedule using the arrow keys. Use Key 2 to move between parameters.

You have several possibilities for the schedule, which will repeat weekly. The time and duration are set in 30-minute increments. Once you have set the schedule, use Key 1 to go back. Ensure that you have selected the desired Water Care mode in the main Water Care menu.



Maintenance

From the Settings page, you can access the Maintenance menu, which gives you access to the following options:

- + Maintenance reminders
- + Standby

Use the Up and Down keys to make a selection and Key 2 to confirm.



Maintenance reminders

The keypad will remind you of maintenance required on your swim spa, like rinsing or cleaning the filters. Each task has its own duration, based on normal use.

The Maintenance reminders menu allows you to verify the time left before maintenance is required and reset the time once a task is completed.



Use the Up and Down keys to move through the list. To reset a task, select it by pressing Key 2, then confirm when prompted. Once you have confirmed, the task will be reset. When you select Reset reminders, you will be asked to confirm your choice. Doing so will reset all maintenance reminders to default values.



Standby

The Standby mode allows you to service your swim spa. Pumps will stop for 30 minutes and automatically restart after this time. Once Standby mode has been activated a screen will display that pumps have stopped.

Press on the Confirm key to leave Standby mode and restart the swim spa.



Date and time

Here you can adjust the time format and change the year, date and time. Use the arrows to select the setting you want to adjust and select it by pressing Key 2. Use the arrow keys to change the parameters and Key 2 to move between parameters. Key 1 will take you back to the main Settings menu.



Temperature unit and language

Use the arrow keys to choose the setting that you want to adjust. Select it by pressing Key 2 then use the arrow keys again to change to the desired setting.

Display orientation

When you change the display orientation, the contextual options and arrow keys adjust to the chosen direction (choose the direction based on whether you prefer to use your control pad standing outside or inside the swim spa).



Security

You can lock the keypad by selecting one of three security levels: Unlock, Partial or Full.

The Partial level locks the set temperature point adjustment and many options in the settings menu.

The Full level locks all keypad functions.

To unlock the keypad (either Partial or Full), press and hold the top right Key 4 for five seconds.



Swim Zone Inverter Panel

Display explanation.



Operating instructions.

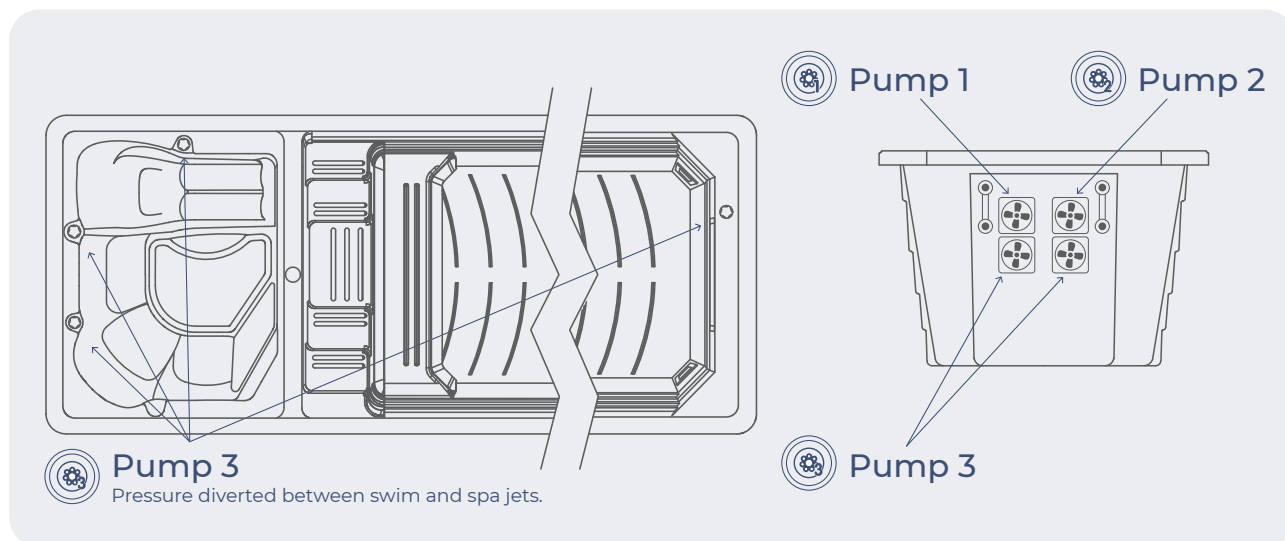
- + Press Pump 1 and Pump 2 on the Gecko touchpad to turn the inverter system on and off. Using the Up and Down arrows, move between the 10 levels available until you find the most comfortable swimming speed. The system will memorise the most recent setting, so you will not need to make any adjustments to the inverter panel when you next use your swim spa, unless you wish to increase / decrease the water flow.
- + When the inverter system is in use, the panel will automatically move into standby mode to prevent any unwanted keypad activity. To unlock the panel, press the up and down arrows simultaneously.
- + Control panel buttons are water resistant, not waterproof, and might stop working if water is splashed onto the surface. Removing the water with a towel / cloth will resolve this issue.
- + The inverter system works on a timer so the pumps will automatically turn off after 20 minutes. To restart the inverter jets, press Pump 1 and Pump 2.
- + In order to protect the inverter pump, stop running the inverter function for at least 10 minutes every half hour.
- + To avoid damage from the impact current, the inverter system has a slight lag between turning on and off.

Spa Zone Diverters

Water diverter valve.

Pressure can be diverted between your spa zone massage jets by the large diverter dial located near your lounge. Twist this back and forth to fine-tune the water pressure split across your seats.

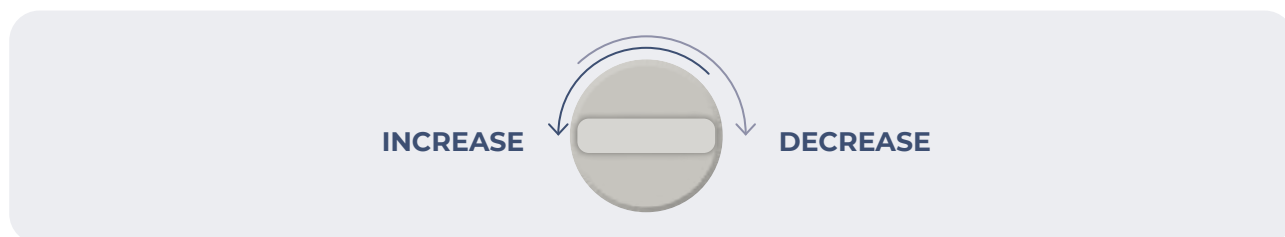
You must keep some pressure flowing through all jets for effective spa water circulation, so always return to a 50/50 pressure split once you have finished using the massage jets.



Air check valve.

Air check valves allow you to reduce the water pressure of your spa zone massage jets by using the smaller diverters beside the spa seats to block water flow. To ensure your water can circulate properly, open the air check valves fully before leaving the swim spa.

Move the diverter back and forth to adjust the pressure.



SECTION 3.

Water Guide

Everything you need to know about balancing your water for the first time. For ongoing maintenance and troubleshooting support, please visit www.galaxyspas.co.nz/support

Refer to the relevant section based on your chosen water care.

Galaxy Super Chlor Start Up Kit	39
simplesilver™	43

Galaxy Super Chlor Start Up Kit

Galaxy has engineered our chlorine system to be gentle on skin, soft in smell and of course, effectively sanitise your water.

Galaxy swim spas utilise a CD ozone system which takes care of 97% of water sanitisation and the Super Chlor is to top up the remaining 3% for superior water quality all year round.

Before Starting

Swim spa volume

You will need to know the volume (the number of litres) of your swim spa to use the charts in this guide. Small deviations in the volume will not affect the water balancing.

Hyperion 1.29m 7,700L (approximate split - spa zone: 1,100L, swim zone: 6,600L)

Hyperion 1.54m 9,300L (approximate split - spa zone: 1,100L, swim zone: 8,200L)

Oceanus 14,000L (approximate split - spa zone: 1,100L, swim zone: 12,900L)

First Treatment - Chlorine Shock Dosing

The first time you fill your swim spa, you need to carry out a shock dose. Shock dosing refers to adding a higher-than-normal dose of chlorine to the water you have just filled your pool with. This is extremely important for good long-term water chemistry.

Shock dosing can also be carried out as part of normal maintenance if you notice your water is discoloured or not crystal clear.

Super Chlor shock dose chart

Swim Spa Volume	Hyperion 1.29m	Hyperion 1.54m	Oceanus
Spa zone	1 ½ Tbsp	1 ½ Tbsp	1 ½ Tbsp
Swim zone	½ Cup	⅔ Cup	1 Cup

Instructions:

1. Remove your cover and headrests to protect the fabric.
2. Add Super Chlor to a bucket of water and mix to combine.
3. Add the bucket mix to your swim spa.
4. Run all pumps to mix for at least 20 minutes and then replace the cover and headrests.
5. Wait 24 hours after shock dosing before using your pool.

Daily Treatment

Super Chlor should be used every day at roughly the same time, ideally straight after using the swim spa. Ensure you have set your filter cycles to two sets of four-hour filtering.

Super Chlor daily dosage chart

Swim Spa Volume	Hyperion 1.29m	Hyperion 1.54m	Oceanus
Spa zone	$\frac{3}{4}$ Tbsp	$\frac{3}{4}$ Tbsp	$\frac{3}{4}$ Tbsp
Swim zone	$\frac{1}{4}$ Cup	$\frac{1}{3}$ Cup	$\frac{1}{2}$ Cup

Instructions:

1. Remove your cover and headrests to protect the fabric.
2. Add the recommended daily dose to the water directly.
3. Run all pumps to mix for at least 20 minutes and then replace the cover and headrests.

Start Up Kit Contents

Below are the contents of the kit and how to use the products to achieve optimum water chemistry.

- + **AquaChek Test Strips** - used to test your water chemistry.
- + **Super Chlor** - used to disinfect the water and keep it fresh by killing any bacteria.
- + **pH Decrease** - if your pH is above 7.8, the water is too alkaline / basic. This can cause problems such as cloudy water and skin / eye irritation. You need to lower the pH to within the normal range (7.2 - 7.8) by using this product.
- + **Alkalinity Up** - if your alkalinity is not in the optimal range, you will have trouble maintaining a stable pH as it is easily affected by changes in the water. Use Alkalinity Up to increase the total alkalinity to the correct range, which helps to maintain the pH level.
- + **Water Hardener** - also referred to as total hardness. This product raises the calcium levels in the water and helps to prevent corrosion of pumps and heater parts. Town water supply generally contains an optimum amount of calcium and should require minimal balancing.
- + **Cartridge Cleaner** - a concentrated cleaning solution that removes dirt, oil, body fats, grease and film from filter cartridges.

Recommended Water Quality

Check your chemical balance weekly

When carrying out your water test, you want your results to fit within these ranges.

	Minimum	Ideal	Maximum
pH ppm	7.2	7.4 - 7.6	7.8
Free chlorine ppm	2.0	3.0 - 5.0	10.0
Alkalinity ppm	60	100 - 200	250
Calcium hardness ppm	150	200 - 400	500

- + ppm = parts per million.
- + Avoid testing immediately after a chlorine shock dose as high chlorine levels can alter the test kit's accuracy.
- + Remember to ensure your chemicals are within their use by date. Testing results will not be accurate otherwise.

Balancing Your Water

How to use testing strips:

1. Dip and remove the strip (do not shake).
2. Wait 15 seconds.
3. Compare strips to the colour chart on the AquaChek bottle.
4. Based on the results, treat the water using the charts below.

Helpful conversions:

- 3 teaspoons (tsp) = 1 tablespoons (Tbsp).
- 1 tablespoon (Tbsp) = 15 grams (g).
- 8 tablespoons (Tbsp) = ½ Cup.
- 16 tablespoons (Tbsp) = 1 Cup.
- 1 kilogram (kg) = 4.23 Cups.



pH decrease - lowering total alkalinity and decreasing your pH levels.

Desired ppm decrease	Hyperion and Oceanus spa zones	Hyperion 1.29m swim zone	Hyperion 1.54m swim zone	Oceanus swim zone
.2	¾ tbsp	¼ cup	⅓ cup	½ cup
.4	1 ½ tbsp	½ cup	⅔ cup	1 cup
.6	2 ¼ tbsp	¾ cup	1 cup	1 ½ cup
.8	3 tbsp	1 cup	1 ⅓ cup	2 cup
1.0	3 ⅔ tbsp	1 ⅓ cup	1 ¾ cup	2 ½ cup

Alkalinity up - balancing total alkalinity with alkalinity up.

Desired ppm increase	Hyperion and Oceanus spa zones	Hyperion 1.29m swim zone	Hyperion 1.54m swim zone	Oceanus swim zone
20	¼ cup	1 cup	1 ⅛ cup	1 ¾ cup
40	⅓ cup	1 ¾ cup	2 ⅓ cup	3 ¾ cup
60	½ cup	2 ¾ cup	3 ½ cup	5 ½ cup
80	⅔ cup	3 ¾ cup	4 ⅔ cup	7 ⅓ cup
100	¾ cup	4 ⅔ cup	5 ¾ cup	9 ⅛ cup

Water hardener - increasing calcium content and total hardness.

Desired ppm increase	Hyperion and Oceanus spa zones	Hyperion 1.29m swim zone	Hyperion 1.54m swim zone	Oceanus swim zone
50	⅓ cup	2 cup	2 ⅓ cup	3 ¾ cup
100	⅔ cup	3 ¾ cup	4 ¾ cup	7 ½ cup
200	1 ⅓ cup	7 ¾ cup	9 ½ cup	15 cup
300	2 cup	11 ½ cup	14 ⅓ cup	22 ½ cup

Cyanuric acid - once it gets to over 50, it's time to drain the pool.

Cartridge cleaner - we recommend you clean your filters fortnightly.

- + Soak for 24 hours in a bucket with cartridge cleaner.
- + Rinse with water and dry thoroughly to reduce frothing.
- + Place back into the pool.

Draining your swim spa - it is advised that you change your water every three months.

simplesilver™

What Is simplesilver™?

- + simplesilver™ is a combination of naturally occurring minerals and a small amount of silver oxide encapsulated in soluble silicon. Silver oxide is a chemical compound with oxidising properties used in cleaning applications.
- + simplesilver™ is proven safe and used in many water treatment applications worldwide.
- + simplesilver™ comes to you packaged in a rigid plastic container for easy use.
- + As this is a chlorine free option, it is recommended that you shower before using your pool.

How Does simplesilver™ Work?

- + simplesilver™ placed in your swim spa gradually releases its minerals into the water, removing contaminants and limiting the formation of scale and rust, while inhibiting the growth of bacteria.
- + All simplesilver™ needs to work well is a good flow of water passing over it, so you can place simplesilver™ just about anywhere you like in your swim spa.

How Do I Use simplesilver™ in My Swim Spa?

Overview.

As a first-time simplesilver™ user, whether you have a new or existing swim spa, you will need to ensure the system is clean by removing any contamination in the water, pipes or equipment. This may have occurred for various reasons, such as contaminated water left in the swim spa after factory testing, bacteria in the water that has propagated during shipping from the manufacturer, or in the case of an existing swim spa, substandard maintenance or water treatment.



Step one - installation process.

Only drain your swim spa if you were previously using bromine.

Place the simplesilver™ tablets anywhere in your two zones except inside the filter housing. Every 1500 litres of water requires a 500 gram tablet of simplesilver™. The simplesilver™ tablets come in two sizes, 500g or 1kg tablets.

Dosage.

Swim spas	Dose
Hyperion 1.29m	Spa zone: 1 x 500g tablet, Swim zone: 2 x 1kg tablets + 1 x 500g tablet
Hyperion 1.54m	Spa zone: 1 x 500g tablet, Swim zone: 3 x 1kg tablets
Oceanus	Spa zone: 1 x 500g tablet, Swim zone: 4 x 1kg tablets + 1 x 500g tablet

Step two - filter pump set up.

Ensure your filter cycles are set to two sets of six-hour filtering.

1. Set your filter pump timer to operate daily:

- + Turn the filter pump onto the standard mode.
- + Turn off the sleep timer.
- + Turn off holiday mode.
- + Turn off energy-saving mode.
- + Make sure to open all jet heads and water features.

The filter circulation pump must be set up correctly to ensure 80,000 to 100,000 litres of water circulate daily. This ensures an accurate quantity of simplesilver™ minerals are released into the water to balance and control it.

2. Do not use your swim spa for the next seven days:

- + Removing contamination and dispensing the correct levels of simplesilver™ minerals will take about a week, after which you will have crystal clear, clean, odour-free water for the next year!

3. At the end of the seven day period:

- + Clean the filters with a cartridge cleaning solution, as water alone is ineffective.
- + Dry these before reinstalling. This will make the filters more effective as the fibres expand, stopping the water from foaming.

What is going on in my swim spa over this seven day period?

- + As the filter pump circulates the water over the simplesilver™ tablet, the minerals are distributed into the swim spa at a constant and controlled rate.
- + It takes time for the correct concentration of simplesilver™ minerals to be dispensed into the water to effectively control and balance the pH, alkalinity, total dissolved solids, scale, corrosion and bacteria.
- + During the first week, any existing contaminants within the spa pool are precipitated out into the water and it might turn grey. Do not panic, this is simplesilver™ doing its job. These contaminants are removed via the filters, which are cleaned by you after seven days.

Note, if you use the swim spa before the seventh day, there will not be sufficient simplesilver™ minerals in the water to inhibit the growth of bacteria or effectively balance the water, therefore the water will not be able to be maintained in a pristine, clear and clean condition.

Step three - use the swim spa.

After the seven day resting period:

- + Clean your filters using a cartridge cleaning solution.
- + If your swim spa water is crystal-clear, clean and odourless, you are good to go.

After care.

How long does simplesilver™ last?

simplesilver™ will keep your swim spa water clean and healthy for 12 months. To replace it, simply place a new block in your pool. We recommend changing your water and cleaning your filter before adding the new block.

What if I am having problems with simplesilver™?

There can be several variables that prevent simplesilver™ from working effectively. Whilst most can be resolved with troubleshooting and correct filtration, from time to time, it simply does not work for a customer.

If you are having problems, you can:

1. Visit the simplesilver™ website and use their troubleshooting page to see if you can solve the problem yourself.
2. Get someone from simplesilver™ to help you, they can often solve the problem by giving you advice over the phone or by email. Contact them via their website.
3. In the rare situation simplesilver™ proves ineffective in your swim spa, you can return it to where you bought it for a full refund. Simply return the block within 60 days of purchase (note you must present your receipt / proof of purchase as it contains the date of purchase).

Visit simplesilver.com for full troubleshooting advice.



Safety Information

We want your Galaxy swim spa experience to be enjoyable and relaxing. We care deeply about your swim spa safety, so please read through the guidelines below:

- + Ensure you have read and understood this guide thoroughly and have followed all the instructions outlined in this swim spa guide.
- + Closely supervise children at all times when using your swim spa.
- + Keep electrical appliances away from the swim spa water. Do not permit any electrical appliance, such as lights, telephone, radio, or television, within 1.5m of the swim spa.
- + Always check the swim spa's temperature before entering.
- + During pregnancy, seek medical advice about using your swim spa before doing so.
- + If you suffer from a medical condition or are on medication, seek medical advice about using your swim spa before doing so.
- + Monitor the length of time you spend in hot water to reduce chances of overheating, drowsiness or hyperthermia.
- + Ensure the surfaces around your swim spa are non-slip and always enter and exit your spa with caution to avoid slipping or injury.
- + Refrain from using your swim spa in severe weather conditions such as electrical storms.

